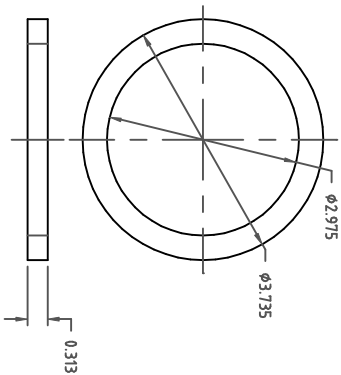
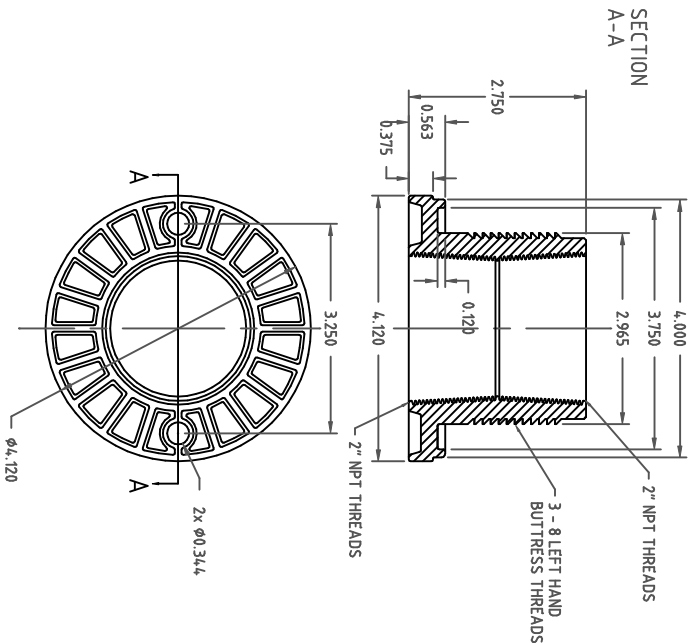


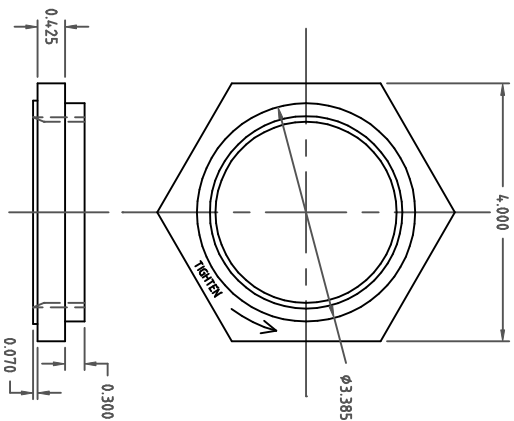
SANTOPRENE GASKET



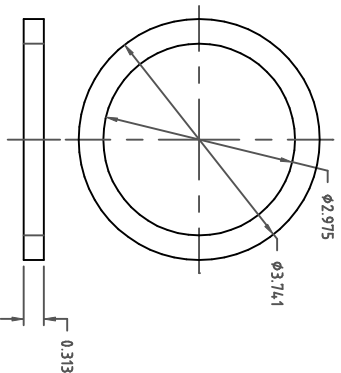
POLYPROPYLENE BODY



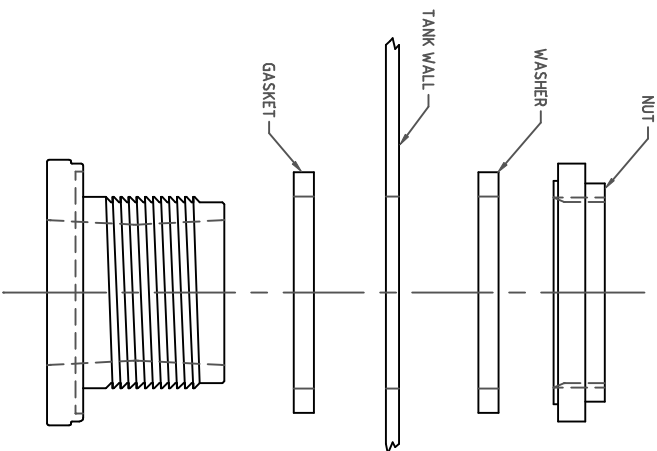
POLYPROPYLENE NUT



POLYPROPYLENE WASHER



ASSEMBLY



10508

A

DRAWN / DATE

DHJ/12/14/04

MATERIAL / SHOT WEIGHT



INJECTION MOLDING
A DIVISION OF DEN HARTOG INDUSTRIES, INC.
4010 HOSPERS DRIVE S., BOX 425, HOSPERS, IOWA 51238-0425

APPRD. / DATE

REH 4./18/07

CLIENT / DESCRIPTION

STANDARD 2" BULKHEAD

APPRD. / DATE

THIRD ANGLE PROJECTION
ANSI 14.5M

NOTES:

ALL DIMENSIONS ARE IN DECIMAL INCHES
TOLERANCES UNLESS OTHERWISE SPECIFIED

.XXX +/- .016"

.XX +/- .032"

.X +/- .062"

REV	DESCRIPTION	DATE	APPRD.
A	UPDATE LOGO AND TOL. CCN 1296 GWC 4./18/07		

SCALE
NONE

PART NO.

10508