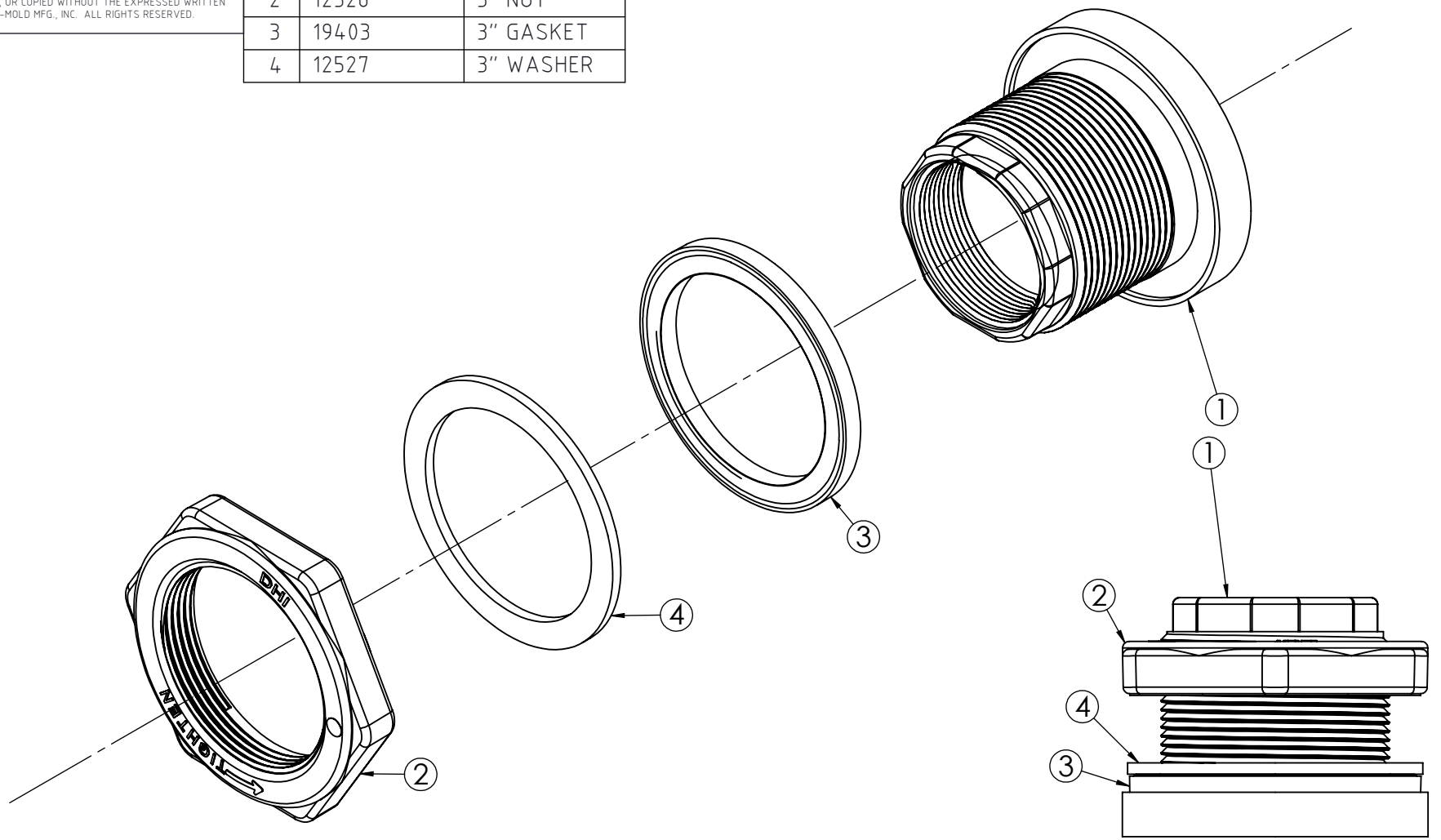


+ PROPRIETARY DATA  
 PROPERTY OF DEN HARTOG MFG., INC. INFORMATION FURNISHED HEREIN IS THE PROPERTY OF ACE ROTO-MOLD MFG., INC. AND SHALL NOT BE USED, DISCLOSED TO OTHERS, OR COPIED WITHOUT THE EXPRESSED WRITTEN CONSENT OF ACE ROTO-MOLD MFG., INC. ALL RIGHTS RESERVED.

KEY	PART NUMBER	DESCRIPTION
1	12525	3" FITTING
2	12526	3" NUT
3	19403	3" GASKET
4	12527	3" WASHER

12528 +



REV	DESCRIPTION	BY / DATE	CCN

DRAWN / DATE  
 ADH 2/15/08  
 APPRD. / DATE  
 MVE 5/16/08

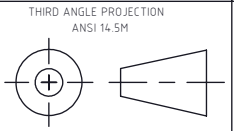
MATERIAL



**Den Hartog**  
 INDUSTRIES, INC.

Ace Roto-Mold Injection Molding Blow Molding Sowjoy  
 4010 HOSPERS DRIVE S. BOX 421, HOSPERS, IOWA 51238-0421

ALL DIMENSIONS ARE IN DECIMAL INCHES  
 TOLERANCES UNLESS OTHERWISE SPECIFIED



NOTES:

DESCRIPTION	3 inch Bulkhead	
SCALE	N.S.	PART NO. 12528