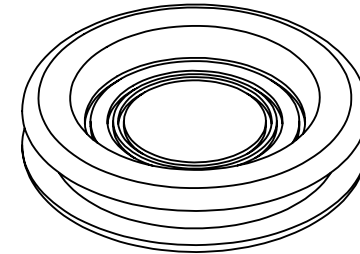
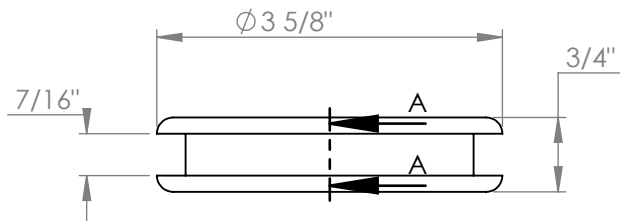


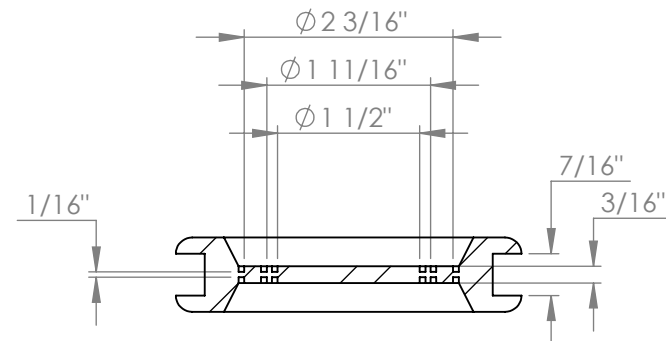
TOP VIEW



ISOMETRIC VIEWS




FRONT VIEW



SECTION A-A

Copyright © 2008 Quality Molded Plastics LTD.

| | | | | | | |
|--|---|--------------------------|--|-------------------------|---|----------------------------|
| PROPRIETARY AND CONFIDENTIAL THE INFORMATION CONTAINED IN THIS DRAWING IS THE SOLE PROPERTY OF QUALITY MOLDED PLASTICS LTD. ANY REPRODUCTION IN PART OR AS A WHOLE WITHOUT THE WRITTEN PERMISSION OF QUALITY MOLDED PLASTICS LTD. IS PROHIBITED. | CLIENT NAME: QMP | MATERIAL: RUBBER | DATE: APRIL 28, 2020 | DRAWN BY: S.APPLETON | DESCRIPTION: PIPE GROMMET | REV 0 |
| | APPROXIMATE WEIGHT (lb): . | DO NOT SCALE DRAWING | | | | |
| | UNLESS OTHERWISE SPECIFIED: | | | | | |
| | --- TOLERANCES --- LENGTH DIMENSION: ± 1% ANGULAR: ± 1.0° | DIMENSIONS ARE IN INCHES |  | | QUALITY MOLDED PLASTICS LTD. Site 412, P.O. Box 280, R.R.#4 SASKATOON, SK S7K 3J7 | SCALE: 1:2 SHEET 1 OF 1 |