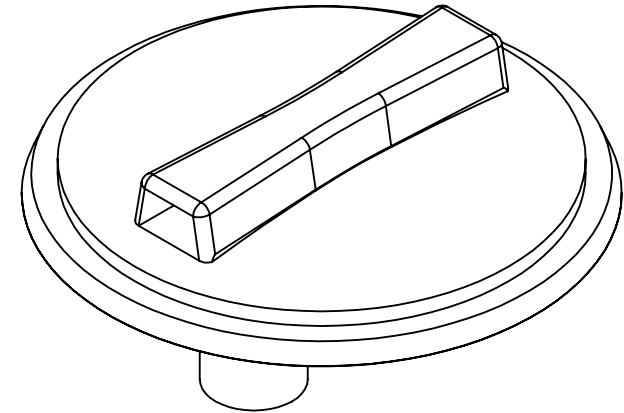
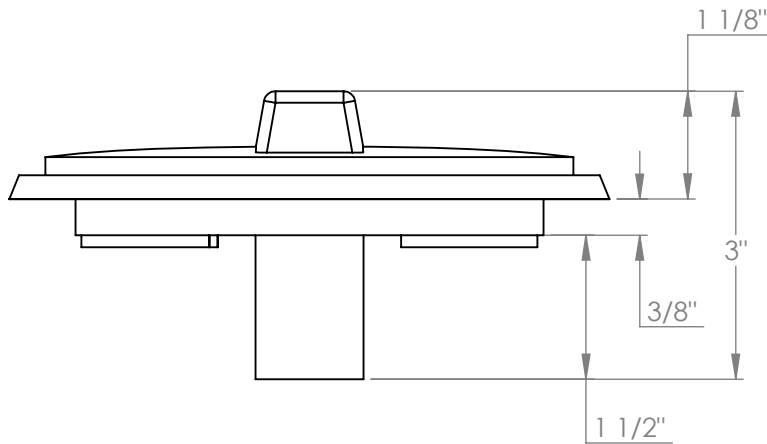


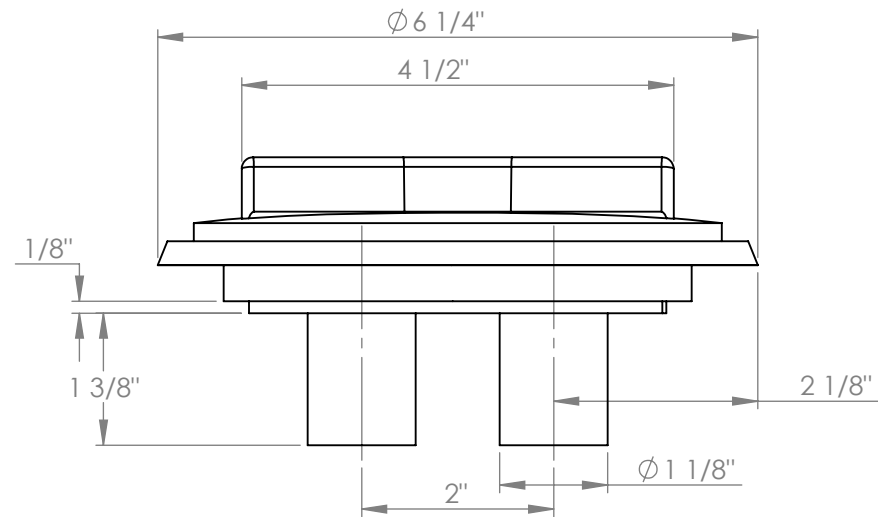
TOP VIEW



ISOMETRIC VIEWS



FRONT VIEW



SIDE VIEW

Copyright © 2008 Quality Molded Plastics LTD.

PROPRIETARY AND CONFIDENTIAL
 THE INFORMATION CONTAINED IN THIS DRAWING IS THE SOLE PROPERTY OF QUALITY MOLDED PLASTICS LTD. ANY REPRODUCTION IN PART OR AS A WHOLE WITHOUT THE WRITTEN PERMISSION OF QUALITY MOLDED PLASTICS LTD. IS PROHIBITED.

CLIENT NAME:
 CLIENT NAME
 APPROXIMATE WEIGHT (lb): 0.53
 UNLESS OTHERWISE SPECIFIED:
 --- TOLERANCES ---
 LENGTH DIMENSION: $\pm 1\%$
 ANGULAR: $\pm 1.0^\circ$
 DIMENSIONS ARE IN INCHES

MATERIAL:
 Material <not specified>
 DATE:
 OCT 05
 DRAWN BY:
 BRAD W
 DO NOT SCALE DRAWING
QMP QUALITY MOLDED PLASTICS LTD.
 Site 412, P.O. Box 280, R.R.#4
 SASKATOON, SK S7K 3J7

DESCRIPTION:
dDESCRIPTION
 SCALE: 1:2
 SHEET 1 OF 1
 PART NO.
30017-1

REV
0