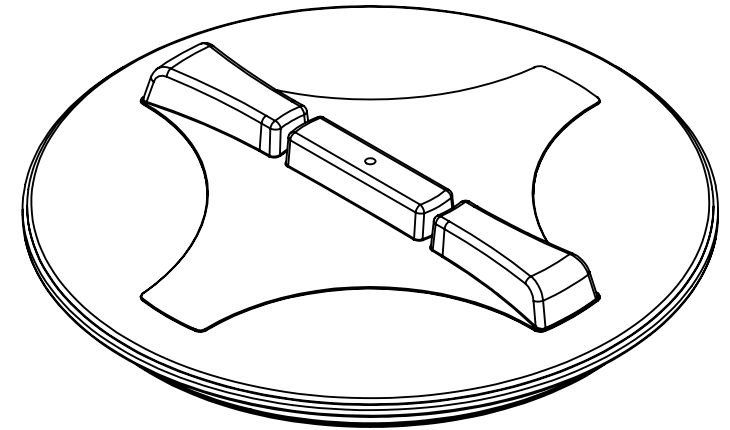
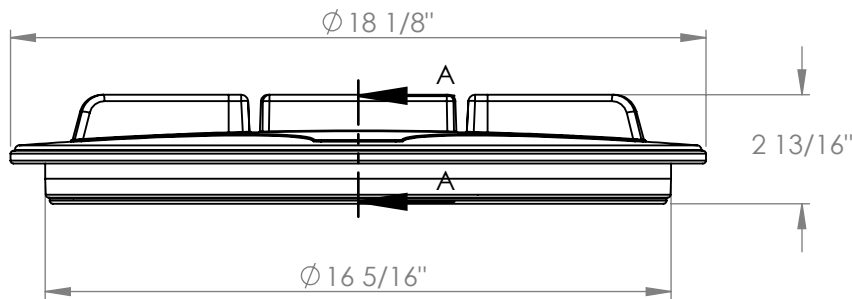


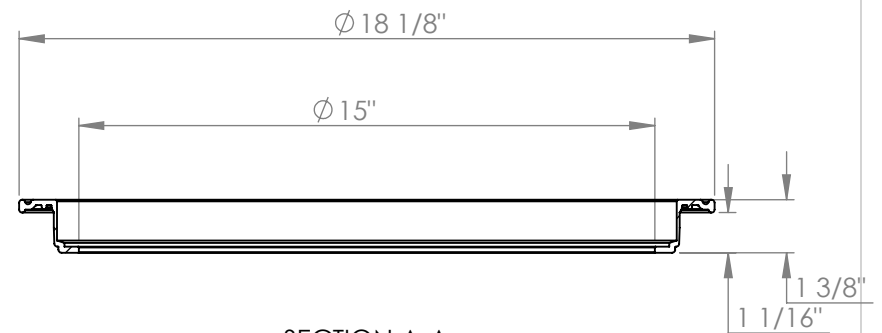
TOP VIEW



ISOMETRIC VIEWS




ARAG PART #3502460, 3522160  
FRONT VIEW



SECTION A-A  
RING ONLY

Copyright © 2008 Quality Molded Plastics LTD.

<b>PROPRIETARY AND CONFIDENTIAL</b> THE INFORMATION CONTAINED IN THIS DRAWING IS THE SOLE PROPERTY OF QUALITY MOLDED PLASTICS LTD. ANY REPRODUCTION IN PART OR AS A WHOLE WITHOUT THE WRITTEN PERMISSION OF QUALITY MOLDED PLASTICS LTD. IS PROHIBITED.	CLIENT NAME: <b>QMP</b> APPROXIMATE WEIGHT (lb): 2.77	MATERIAL: PP	DATE: MAY 5, 2020	DRAWN BY: S.APPLETON	DESCRIPTION: <b>16" Non Vented Lid</b>	REV <b>Y</b>
	DO NOT SCALE DRAWING				SCALE: 1:5	PART NO.
	<b>UNLESS OTHERWISE SPECIFIED:</b> --- TOLERANCES --- LENGTH DIMENSION: ± 1% ANGULAR: ± 1.0°		DIMENSIONS ARE IN INCHES	 <b>QUALITY MOLDED PLASTICS LTD.</b> Site 412, P.O. Box 280, R.R.#4 SASKATOON, SK S7K 3J7		<b>30019-1</b>
SHEET 1 OF 1						