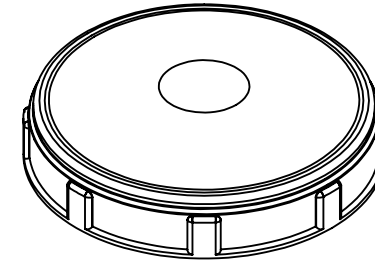
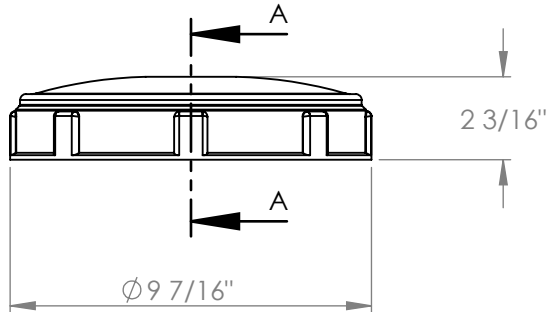


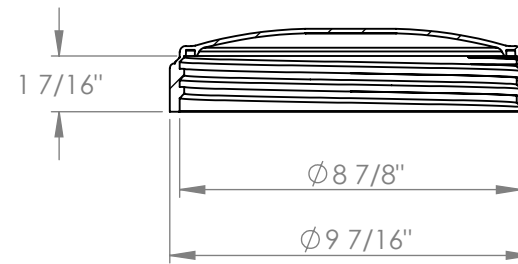
TOP VIEW



ISOMETRIC VIEWS




FRONT VIEW



SECTION A-A

ARAG PART #354120

Copyright © 2008 Quality Molded Plastics LTD.

<b>PROPRIETARY AND CONFIDENTIAL</b> THE INFORMATION CONTAINED IN THIS DRAWING IS THE SOLE PROPERTY OF QUALITY MOLDED PLASTICS LTD. ANY REPRODUCTION IN PART OR AS A WHOLE WITHOUT THE WRITTEN PERMISSION OF QUALITY MOLDED PLASTICS LTD. IS PROHIBITED.	CLIENT NAME: <b>QMP</b>	MATERIAL: PP	DATE: APRIL 28, 2020	DRAWN BY: S.APPLETON	DESCRIPTION: <b>9" THREADED CAP</b>	REV <b>Y</b>
	APPROXIMATE WEIGHT (lb): .	DO NOT SCALE DRAWING			SCALE: 1:5	PART NO.
	<b>UNLESS OTHERWISE SPECIFIED:</b>		 <b>QUALITY MOLDED PLASTICS LTD.</b> Site 412, P.O. Box 280, R.R.#4 SASKATOON, SK S7K 3J7		SHEET 1 OF 1	<b>30022-1</b>
	--- TOLERANCES --- LENGTH DIMENSION: $\pm 1\%$ ANGULAR: $\pm 1.0^\circ$	DIMENSIONS ARE IN INCHES				