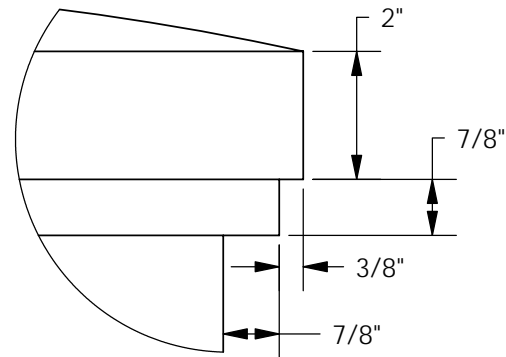
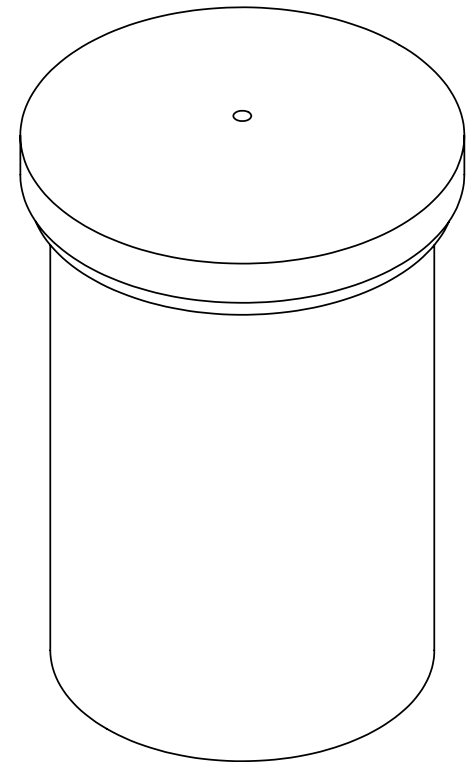


FRONT VIEW




DETAIL A

**NOTES (APPROX):**  
 WALL THICKNESS: 5/32"  
 CAPACITY (UP TO 23 3/8"):  
 16.17 imp gal  
 19.42 u.s. gal  
 CAPACITY (UNTRIMMED):  
 19.09 imp gal  
 22.92 u.s. gal



ISOMETRIC VIEWS

Copyright © 2008 Quality Molded Plastics LTD.

<b>PROPRIETARY AND CONFIDENTIAL</b> THE INFORMATION CONTAINED IN THIS DRAWING IS THE SOLE PROPERTY OF QUALITY MOLDED PLASTICS LTD. ANY REPRODUCTION IN PART OR AS A WHOLE WITHOUT THE WRITTEN PERMISSION OF QUALITY MOLDED PLASTICS LTD. IS PROHIBITED.	CLIENT NAME: <b>Q.M.P.</b>	MATERIAL: LLDPE	DATE: DEC/17/2009	DRAWN BY: JOSE H.	DESCRIPTION: <b>BARREL, 15 GAL, 16x22</b>	REV <b>Y</b>
	APPROXIMATE WEIGHT (lb): 10	DO NOT SCALE DRAWING				
	<b>UNLESS OTHERWISE SPECIFIED:</b>		 <b>QUALITY MOLDED PLASTICS LTD.</b> Site 412, P.O. Box 280, R.R.#4 SASKATOON, SK S7K 3J7		SCALE: 1:24	PART NO.
	--- TOLERANCES --- LENGTH DIMENSION: ± 1% ANGULAR: ± 1.0°	DIMENSIONS ARE IN INCHES			SHEET 1 OF 1	<b>60000-1</b>