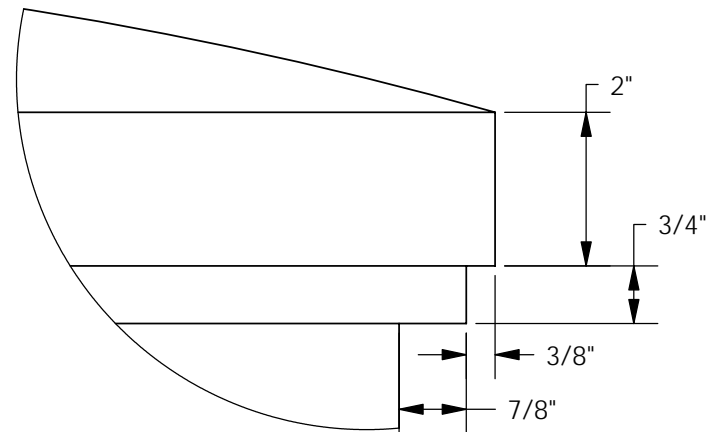


FRONT VIEW



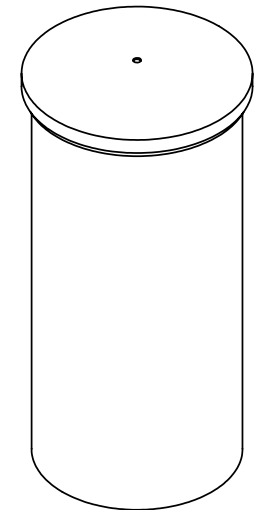
DETAIL A

NOTES (APPROX):

WALL THICKNESS: 0.2"


CAPACITY (UP TO 54 3/4"):
104.19 imp gal
125.13 u.s. gal

CAPACITY (UNTRIMMED):
112.25 imp gal
134.80 u.s. gal



ISOMETRIC VIEW

Copyright © 2008 Quality Molded Plastics LTD.

PROPRIETARY AND CONFIDENTIAL THE INFORMATION CONTAINED IN THIS DRAWING IS THE SOLE PROPERTY OF QUALITY MOLDED PLASTICS LTD. ANY REPRODUCTION IN PART OR AS A WHOLE WITHOUT THE WRITTEN PERMISSION OF QUALITY MOLDED PLASTICS LTD. IS PROHIBITED.	CLIENT NAME: Q.M.P.	MATERIAL: LLDPE	DATE: JUN/23/2009	DRAWN BY: JOSE H.	DESCRIPTION: BARREL, 100 GAL, 26x55	REV Y
	APPROXIMATE WEIGHT (lb): 40	DO NOT SCALE DRAWING				
	UNLESS OTHERWISE SPECIFIED:		 QUALITY MOLDED PLASTICS LTD. Site 412, P.O. Box 280, R.R.#4 SASKATOON, SK S7K 3J7		SCALE: 1:24	PART NO.
	--- TOLERANCES --- LENGTH DIMENSION: ± 1% ANGULAR: ± 1.0°	DIMENSIONS ARE IN INCHES			SHEET 1 OF 1	60003-1