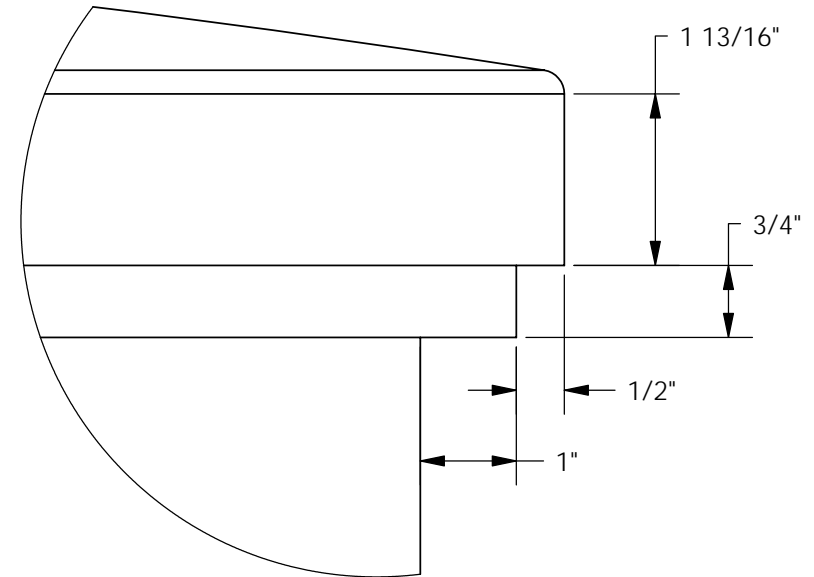


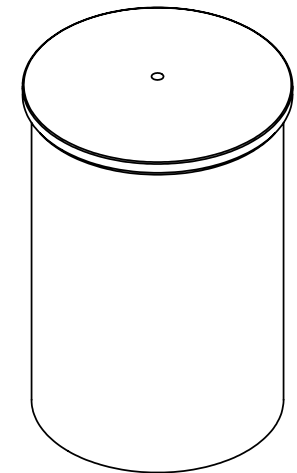
FRONT VIEW



DETAIL A

NOTES (APPROX):

- WALL THICKNESS: 3/16"
- CAPACITY (UP TO 61 1/2"):
299.69 imp gal
359.92 u.s. gal
- CAPACITY (UNTRIMMED):
318.55 imp gal
382.56 u.s. gal



ISOMETRIC VIEW

Copyright © 2006 Quality Molded Plastics LTD.

PROPRIETARY AND CONFIDENTIAL THE INFORMATION CONTAINED IN THIS DRAWING IS THE SOLE PROPERTY OF QUALITY MOLDED PLASTICS LTD. ANY REPRODUCTION IN PART OR AS A WHOLE WITHOUT THE WRITTEN PERMISSION OF QUALITY MOLDED PLASTICS LTD. IS PROHIBITED.	CLIENT NAME: Q.M.P.	MATERIAL: LLDPE	DATE: AUG/25/2009	DRAWN BY: JOSE H.	DESCRIPTION: BARREL, 300 GAL, 42x62	REV Y
	APPROXIMATE WEIGHT (lb): 88.5		DO NOT SCALE DRAWING			
	UNLESS OTHERWISE SPECIFIED: TOLERANCES: LENGTH DIMENSION: ± 1% ANGULAR: ± 1.0°		DIMENSIONS ARE IN INCHES		QMP	SCALE: 1:32 SHEET 1 OF 1
QUALITY MOLDED PLASTICS LTD. Site 412, P.O. Box 280, R.R.#4 SASKATOON, SK S7K 3J7						