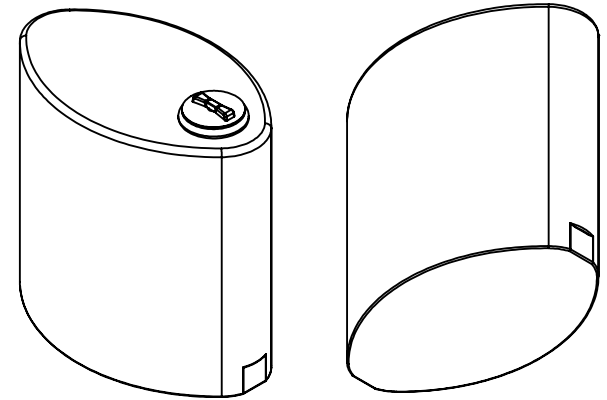


TOP VIEW

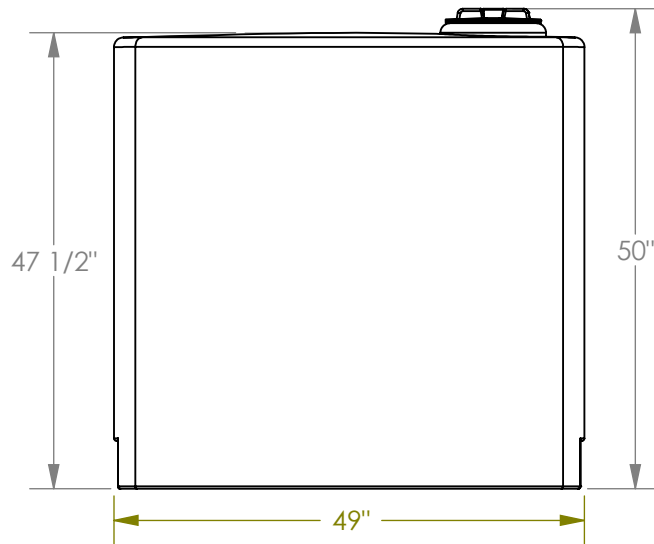


ISOMETRIC VIEWS

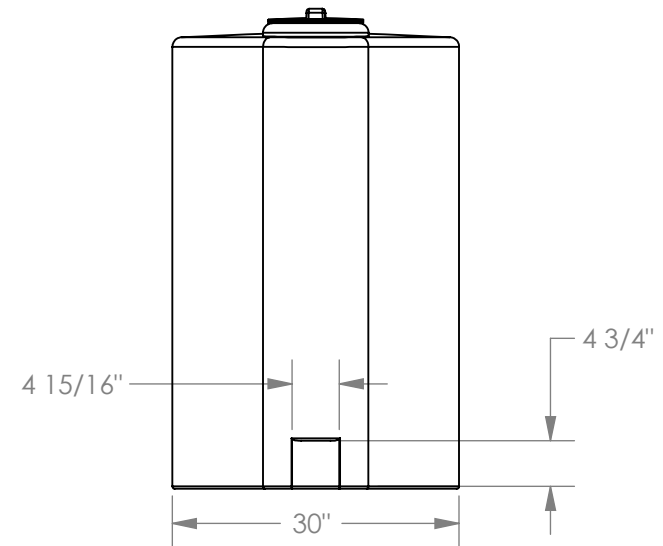
NOTES (APPROX):

WALL THICKNESS: 0.28"

CAPACITY:
180 IMP. GAL
216 US GAL
818 LITRES




FRONT VIEW



SIDE VIEW

Copyright © 2008 Quality Molded Plastics LTD.

PROPRIETARY AND CONFIDENTIAL THE INFORMATION CONTAINED IN THIS DRAWING IS THE SOLE PROPERTY OF QUALITY MOLDED PLASTICS LTD. ANY REPRODUCTION IN PART OR AS A WHOLE WITHOUT THE WRITTEN PERMISSION OF QUALITY MOLDED PLASTICS LTD. IS PROHIBITED.	CLIENT NAME: Q.M.P.	MATERIAL: LLDPE	DATE: DEC/18/2008	DRAWN BY: JOSE H.	DESCRIPTION: TANK,200 GAL,OVAL,VERT	REV Y
	APPROXIMATE WEIGHT (lb): 75	DO NOT SCALE DRAWING			SCALE: 1:24	PART NO.
	UNLESS OTHERWISE SPECIFIED: --- TOLERANCES --- LENGTH DIMENSION: ± 1% ANGULAR: ± 1.0°	DIMENSIONS ARE IN INCHES	 QUALITY MOLDED PLASTICS LTD. Site 412, P.O. Box 280, R.R.#4 SASKATOON, SK S7K 3J7		SHEET 1 OF 1	60013-1