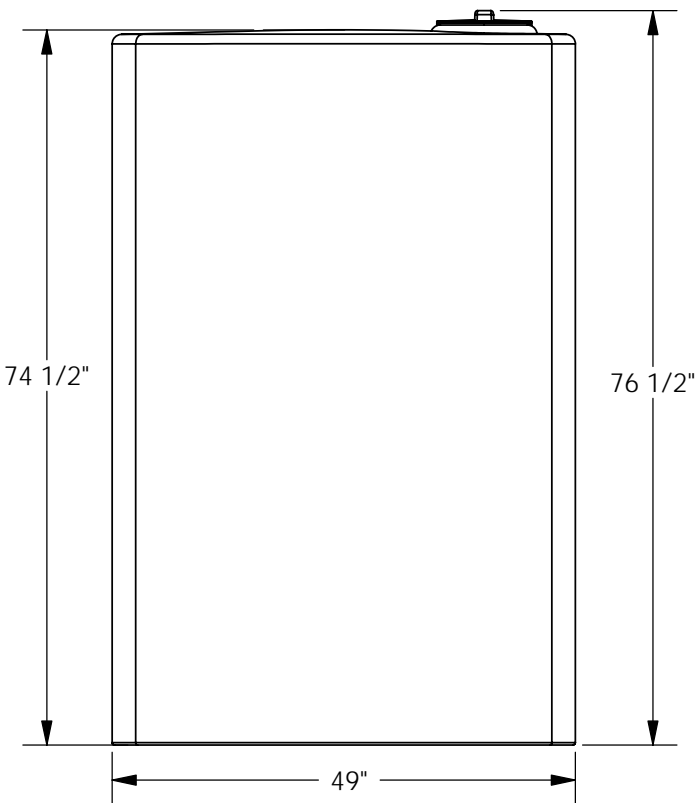
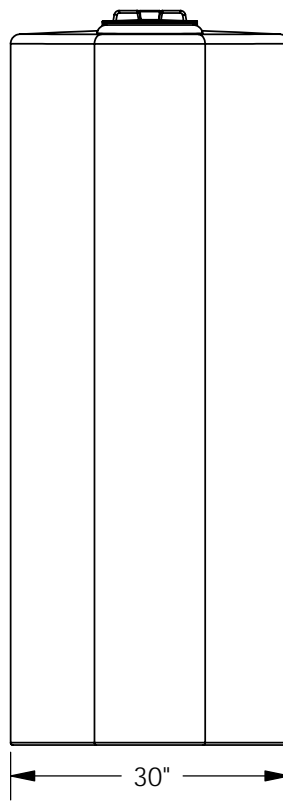


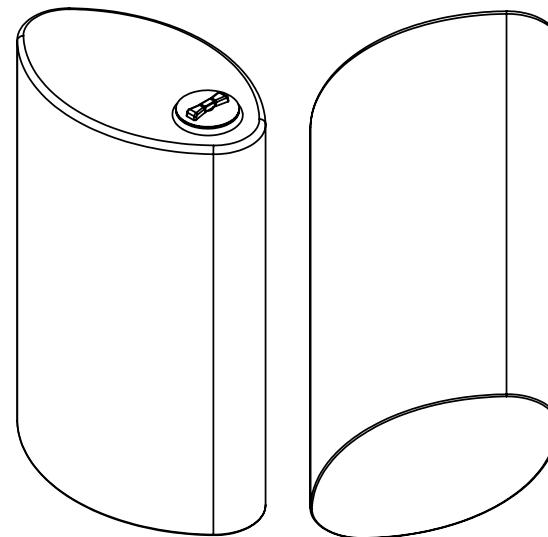
TOP VIEW



FRONT VIEW




SIDE VIEW



ISOMETRIC VIEWS

NOTES (APPROX):
 WALL THICKNESS: 0.28"
 CAPACITY:
 272.51 imp gal
 327.27 u.s. gal

Copyright © 2008 Quality Molded Plastics LTD.

PROPRIETARY AND CONFIDENTIAL THE INFORMATION CONTAINED IN THIS DRAWING IS THE SOLE PROPERTY OF QUALITY MOLDED PLASTICS LTD. ANY REPRODUCTION IN PART OR AS A WHOLE WITHOUT THE WRITTEN PERMISSION OF QUALITY MOLDED PLASTICS LTD. IS PROHIBITED.	CLIENT NAME: Q.M.P.	MATERIAL: LLDPE	DATE: MAY/21/2009	DRAWN BY: JOSE H.	DESCRIPTION: TANK,300 GAL,OVAL VERT	REV Y
	APPROXIMATE WEIGHT (lb): 105	DO NOT SCALE DRAWING				
	UNLESS OTHERWISE SPECIFIED:		 QUALITY MOLDED PLASTICS LTD. Site 412, P.O. Box 280, R.R.#4 SASKATOON, SK S7K 3J7		SCALE: 1:32	PART NO.
	--- TOLERANCES --- LENGTH DIMENSION: ± 1% ANGULAR: ± 1.0°	DIMENSIONS ARE IN INCHES			SHEET 1 OF 1	60014-1