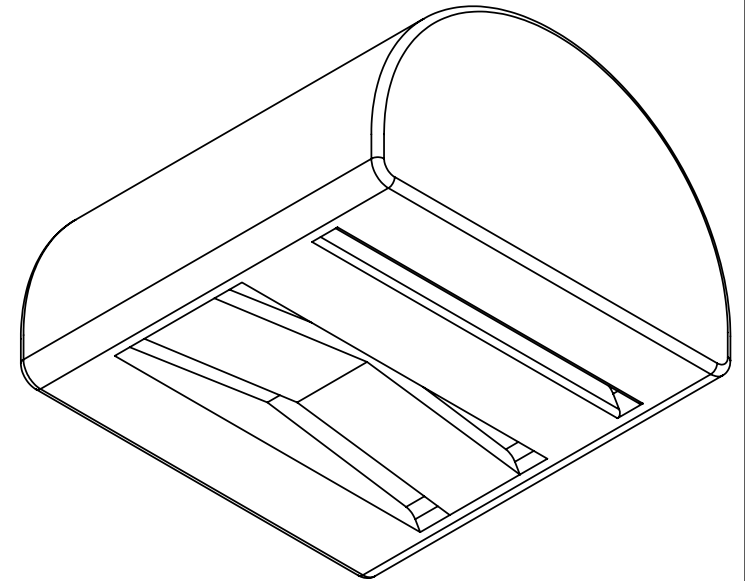
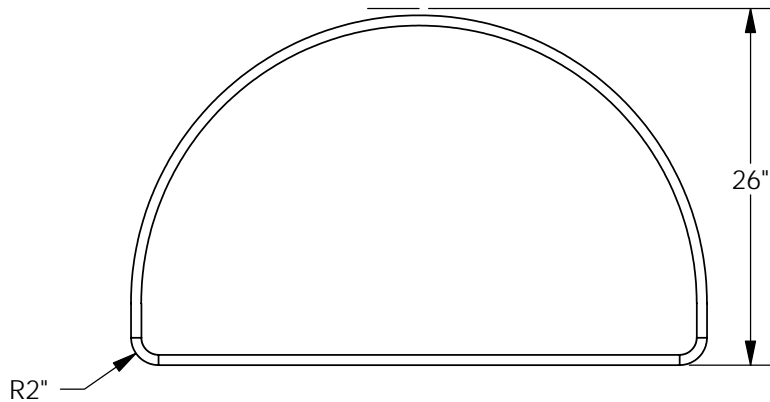


BOTTOM VIEW

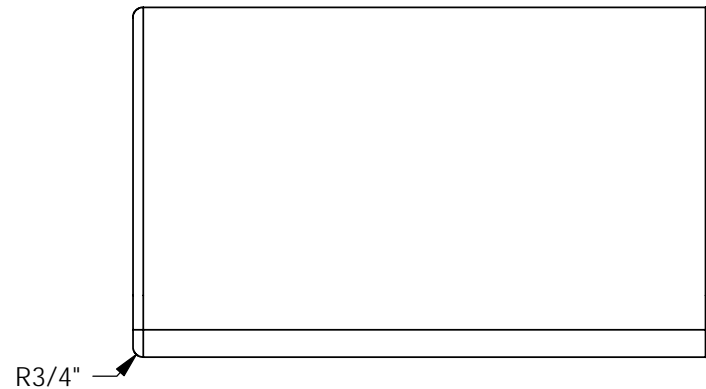
NOTES (APPROX):
 WALL THICKNESS: 0.25"
 CAPACITY:
 123.94 imp gal
 148.85 u.s. gal



ISOMETRIC VIEW
(BOTTOM)




FRONT VIEW



SIDE VIEW

Copyright © 2008 Quality Molded Plastics LTD.

PROPRIETARY AND CONFIDENTIAL THE INFORMATION CONTAINED IN THIS DRAWING IS THE SOLE PROPERTY OF QUALITY MOLDED PLASTICS LTD. ANY REPRODUCTION IN PART OR AS A WHOLE WITHOUT THE WRITTEN PERMISSION OF QUALITY MOLDED PLASTICS LTD. IS PROHIBITED.	CLIENT NAME: Q.M.P.	MATERIAL: LLDPE	DATE: JUN/03/2009	DRAWN BY: JOSE H.	DESCRIPTION: TANK, 130 GAL, HALF-ROUND	REV Y
	APPROXIMATE WEIGHT (lb): 58	DO NOT SCALE DRAWING				
	UNLESS OTHERWISE SPECIFIED:		 QUALITY MOLDED PLASTICS LTD. Site 412, P.O. Box 280, R.R.#4 SASKATOON, SK S7K 3J7		SCALE: 1:24	PART NO.
	--- TOLERANCES --- LENGTH DIMENSION: ± 1% ANGULAR: ± 1.0°	DIMENSIONS ARE IN INCHES			SHEET 1 OF 1	60015-1