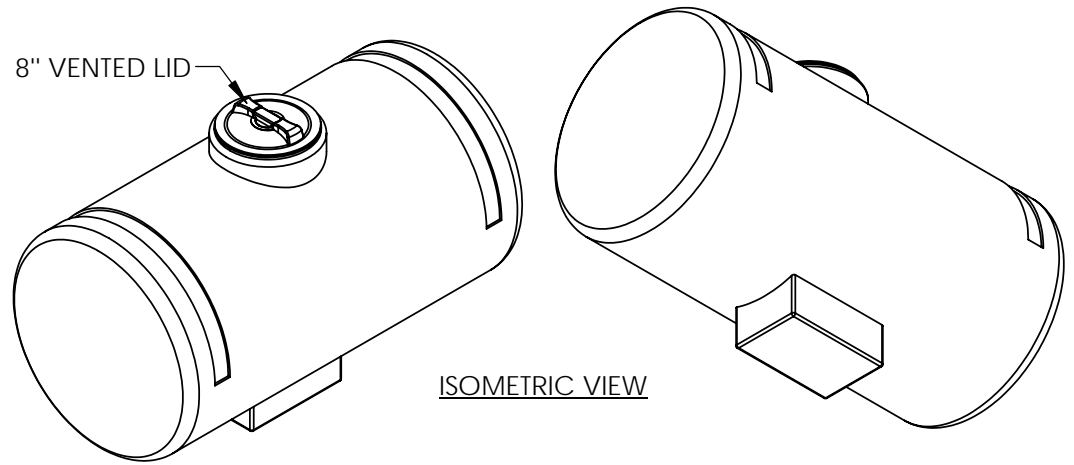


TOP VIEW

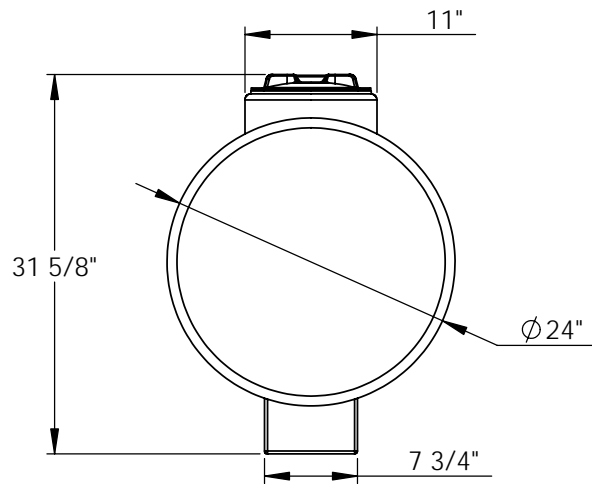


ISOMETRIC VIEW

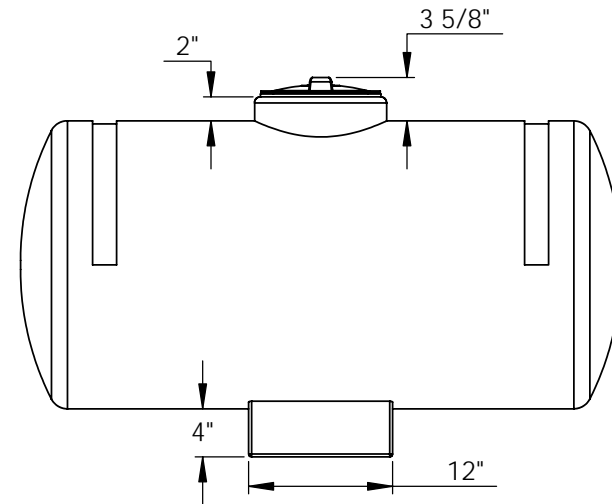
NOTES (APPROX):

WALL THICKNESS: 3/16"

CAPACITY:  
75.85 imp gal  
91.09 u.s. gal




FRONT VIEW



SIDE VIEW

Copyright © 2008 Quality Molded Plastics LTD.

<b>PROPRIETARY AND CONFIDENTIAL</b> THE INFORMATION CONTAINED IN THIS DRAWING IS THE SOLE PROPERTY OF QUALITY MOLDED PLASTICS LTD. ANY REPRODUCTION IN PART OR AS A WHOLE WITHOUT THE WRITTEN PERMISSION OF QUALITY MOLDED PLASTICS LTD. IS PROHIBITED.	CLIENT NAME: <b>Q.M.P.</b>	MATERIAL: LLDPE	DATE: JUL/21/2009	DRAWN BY: JOSE H.	DESCRIPTION: <b>TANK,75 GAL,ROUND HORIZONTAL</b>	REV <b>Y</b>
	APPROXIMATE WEIGHT (lb): 28	DO NOT SCALE DRAWING			SCALE: 1:20	PART NO.
	<b>UNLESS OTHERWISE SPECIFIED:</b>		 <b>QUALITY MOLDED PLASTICS LTD.</b> Site 412, P.O. Box 280, R.R.#4 SASKATOON, SK S7K 3J7		SHEET 1 OF 1	<b>60017-1</b>
	--- TOLERANCES --- LENGTH DIMENSION: ± 1% ANGULAR: ± 1.0°	DIMENSIONS ARE IN INCHES				