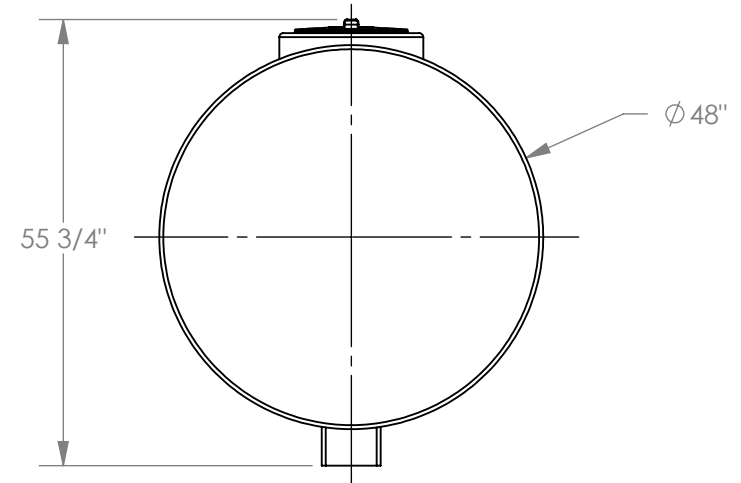
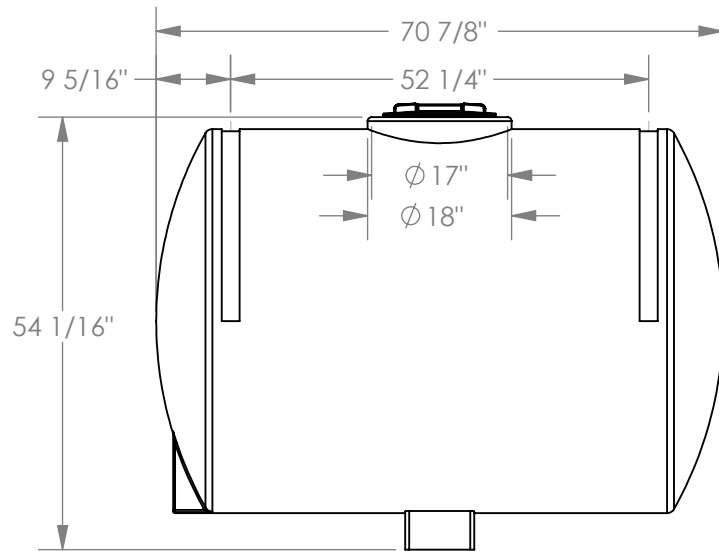



Note:
 Approximate Wall Thickness 5/16"
 Inner Tank For the 500 US Gal Dual Wall Tank.

CAPACITY:
 420 IMP Gal
 504 US Gal



COPYRIGHT © QMP 2005

PROPRIETARY AND CONFIDENTIAL THE INFORMATION CONTAINED IN THIS DRAWING IS THE SOLE PROPERTY OF QUALITY MOLDED PLASTICS LTD. ANY REPRODUCTION IN PART OR AS A WHOLE WITHOUT THE WRITTEN PERMISSION OF QUALITY MOLDED PLASTICS LTD. IS PROHIBITED.	CLIENT NAME: Q.M.P. CLIENT PART #: 60019-1	MATERIAL: LLDPE	DATE: JUNE 26, 2015	DRAWN BY: S.APPLETON	DESCRIPTION: TANK ASSY, 420 GAL, RD HZTL	REV Y
	UNLESS OTHERWISE SPECIFIED:		DO NOT SCALE DRAWING			
	TOLERANCES: LENGTH DIMENSION: $\pm 1\%$ ANGULAR: $\pm 1.0^\circ$	DIMENSIONS ARE IN INCHES	 QUALITY MOLDED PLASTICS LTD. P.O. Box 280, R.R.4 SASKATOON, SK S7K 3J7		SCALE: 1:24 SHEET 1 OF 1	PART NO. 60019-1