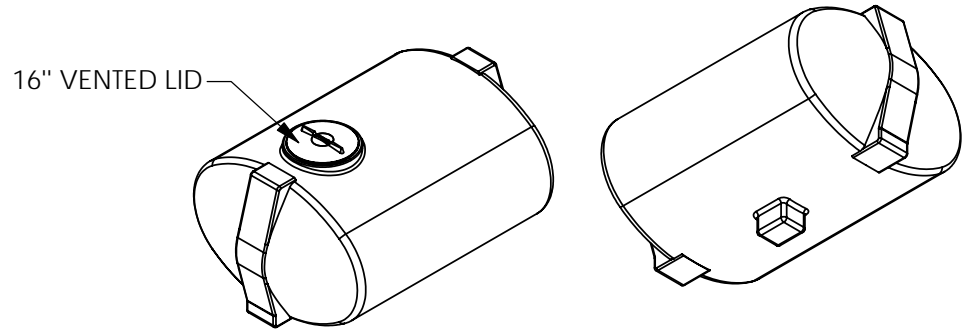
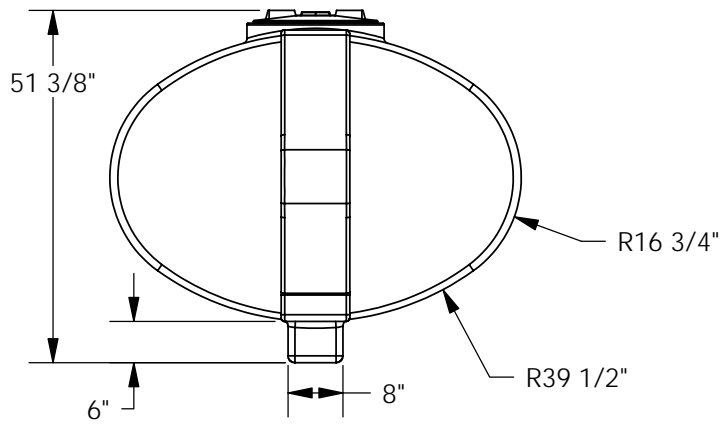


TOP VIEW

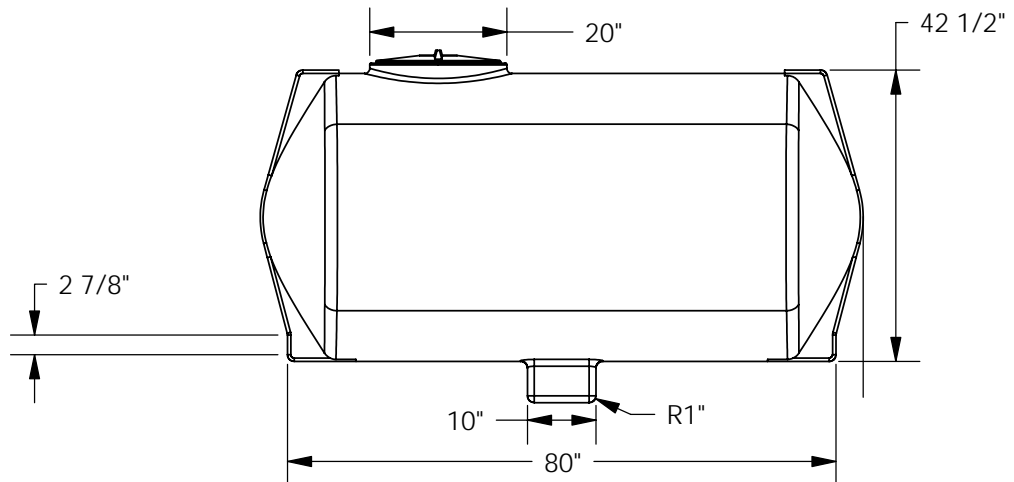


ISOMETRIC VIEWS

NOTES (APPROX):
 WALL THICKNESS: 0.35"
 CAPACITY:
 535.69 imp gal
 643.34 u.s. gal



FRONT VIEW



SIDE VIEW

Copyright © 2008 Quality Molded Plastics LTD.

PROPRIETARY AND CONFIDENTIAL THE INFORMATION CONTAINED IN THIS DRAWING IS THE SOLE PROPERTY OF QUALITY MOLDED PLASTICS LTD. ANY REPRODUCTION IN PART OR AS A WHOLE WITHOUT THE WRITTEN PERMISSION OF QUALITY MOLDED PLASTICS LTD. IS PROHIBITED.	CLIENT NAME: Q.M.P.	MATERIAL: LLDPE	DATE: SEP/10/2010	DRAWN BY: JOSE H.	DESCRIPTION: TANK,550 GAL,OVAL	REV Y
	APPROXIMATE WEIGHT (lb): 190	DO NOT SCALE DRAWING			SCALE: 1:48	PART NO.
	UNLESS OTHERWISE SPECIFIED:		QUALITY MOLDED PLASTICS LTD. Site 412, P.O. Box 280, R.R.#4 SASKATOON, SK S7K 3J7		SHEET 1 OF 1	60021-1
	--- TOLERANCES --- LENGTH DIMENSION: ± 1% ANGULAR: ± 1.0°	DIMENSIONS ARE IN INCHES				