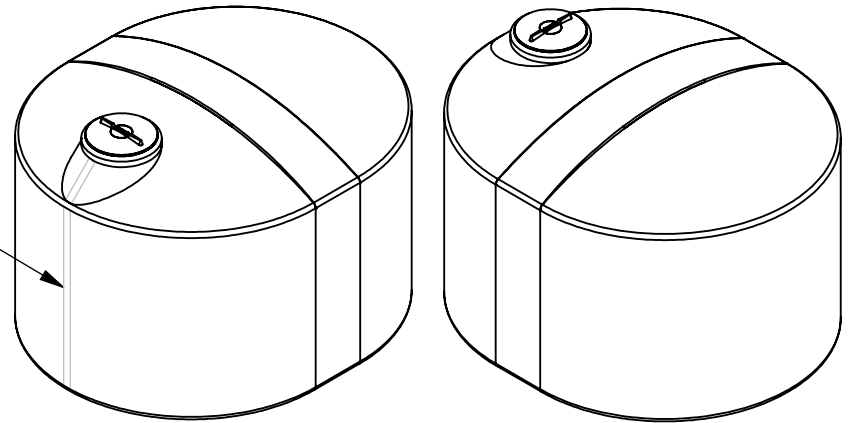


TOP VIEW

GAUGING STRIP

Ø 16" VENTED LID

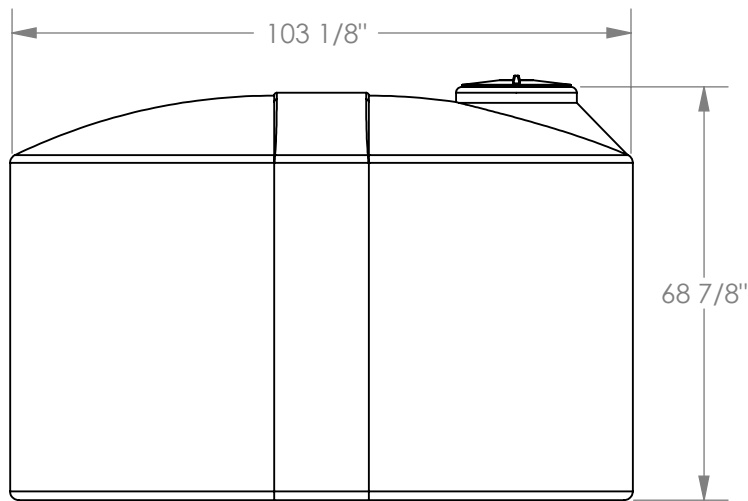


ISOMETRIC VIEWS

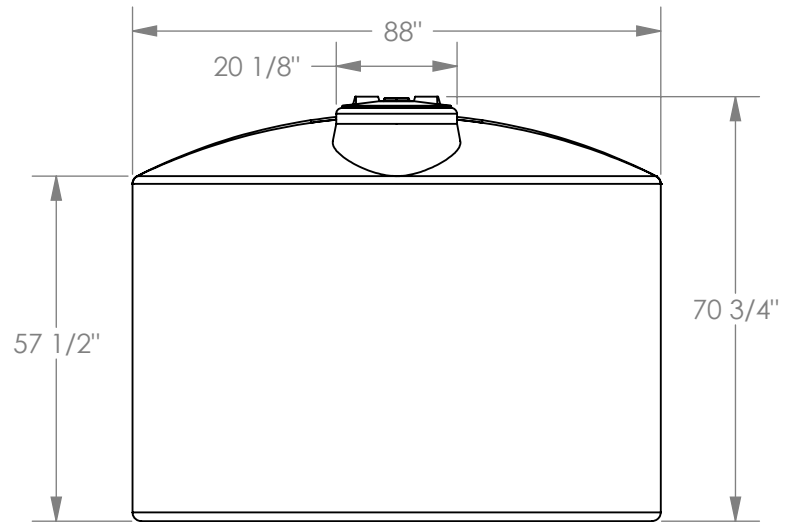
NOTES (APPROX):

WALL THICKNESS: 5/16"

CAPACITY:
1650 IMP GAL
1980 U.S. GAL
7495 LITRES



FRONT VIEW



SIDE VIEW

Copyright © 2008 Quality Molded Plastics LTD.

PROPRIETARY AND CONFIDENTIAL
THE INFORMATION CONTAINED IN THIS DRAWING IS THE SOLE PROPERTY OF QUALITY MOLDED PLASTICS LTD. ANY REPRODUCTION IN PART OR AS A WHOLE WITHOUT THE WRITTEN PERMISSION OF QUALITY MOLDED PLASTICS LTD. IS PROHIBITED.

CLIENT NAME:
Q.M.P.
APPROXIMATE WEIGHT (lb): 352
UNLESS OTHERWISE SPECIFIED:
--- TOLERANCES ---
LENGTH DIMENSION: ± 1%
ANGULAR: ± 1.0°
DIMENSIONS ARE IN INCHES

MATERIAL:
LLDPE
DATE:
JAN/25/2010
DRAWN BY:
JOSE H.
DO NOT SCALE DRAWING
QMP QUALITY MOLDED PLASTICS LTD.
Site 412, P.O. Box 280, R.R.#4
SASKATOON, SK S7K 3J7

DESCRIPTION:
TANK 198 US GAL OVAL VERT, WATER
SCALE: 1:48
SHEET 1 OF 1
PART NO.
60024-1
REV
2