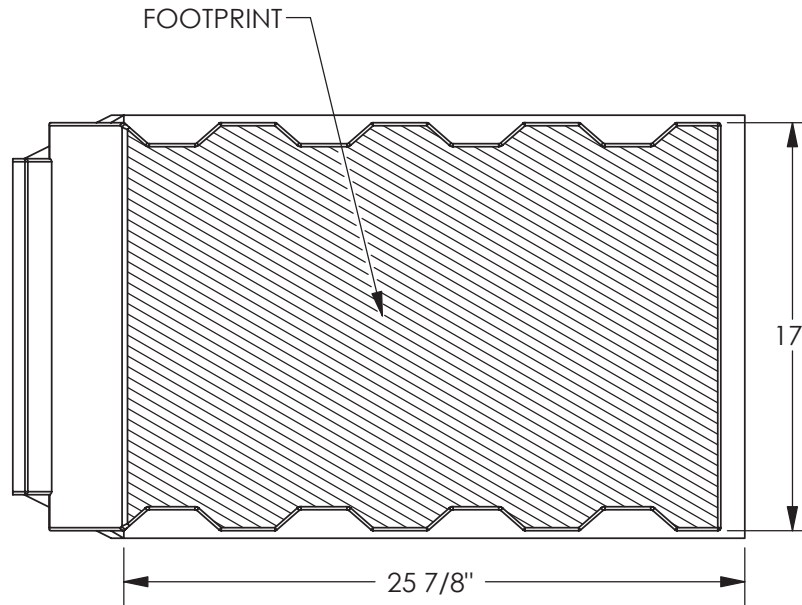
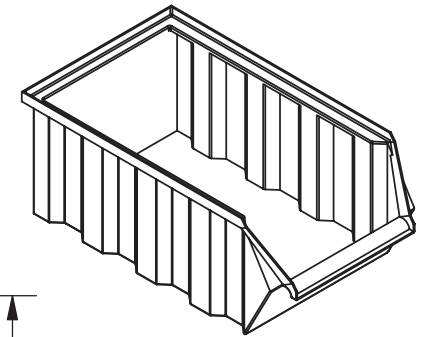


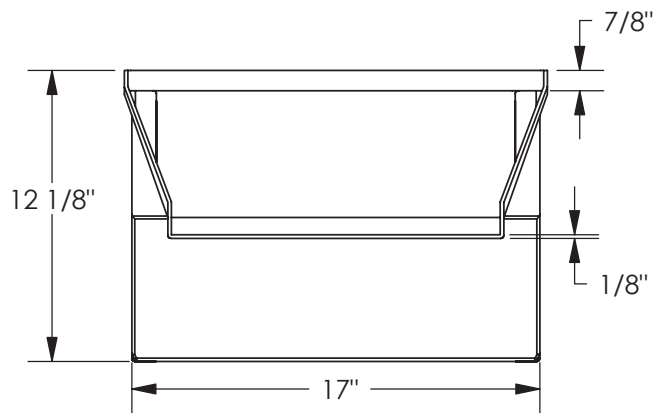
TOP VIEW



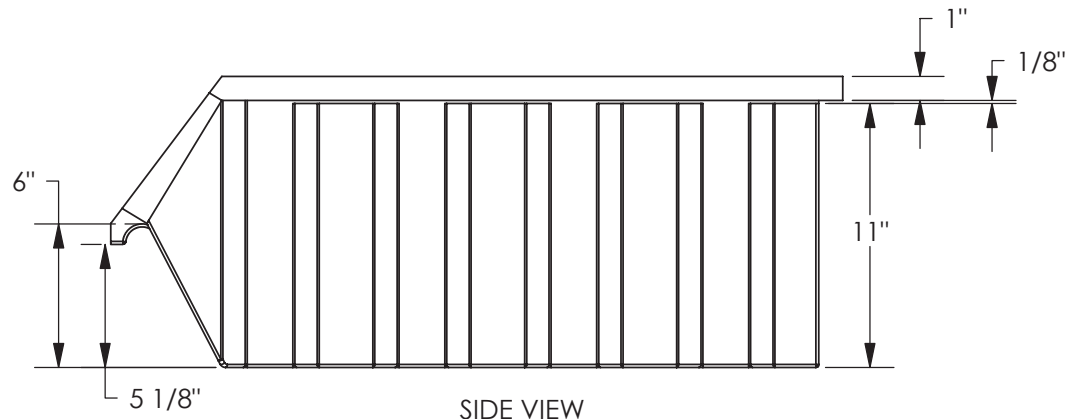
BOTTOM VIEW



ISOMETRIC VIEW



FRONT VIEW



SIDE VIEW

Copyright © 2008 Quality Molded Plastics LTD.

<b>PROPRIETARY AND CONFIDENTIAL</b> THE INFORMATION CONTAINED IN THIS DRAWING IS THE SOLE PROPERTY OF QUALITY MOLDED PLASTICS LTD. ANY REPRODUCTION IN PART OR AS A WHOLE WITHOUT THE WRITTEN PERMISSION OF QUALITY MOLDED PLASTICS LTD. IS PROHIBITED.	CLIENT NAME: <b>Q.M.P.</b>	MATERIAL: LLDPE	DATE: AUG/27/2009	DRAWN BY: JOSE H.	DESCRIPTION: <b>BIN, STACKING, 3 CU FT, BLU</b>	REV <b>Y</b>
	APPROXIMATE WEIGHT (lb): 9.5 <b>UNLESS OTHERWISE SPECIFIED:</b> --- TOLERANCES --- LENGTH DIMENSION: ± 1% ANGULAR: ± 1.0°	DIMENSIONS ARE IN INCHES	<b>DO NOT SCALE DRAWING</b>			SCALE: 1:12 SHEET 1 OF 1



**QUALITY MOLDED PLASTICS LTD.**  
 Site 412, P.O. Box 280, R.R.#4  
 SASKATOON, SK S7K 3J7