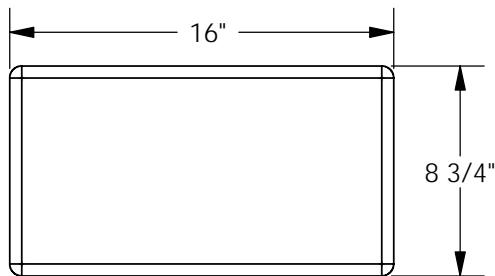
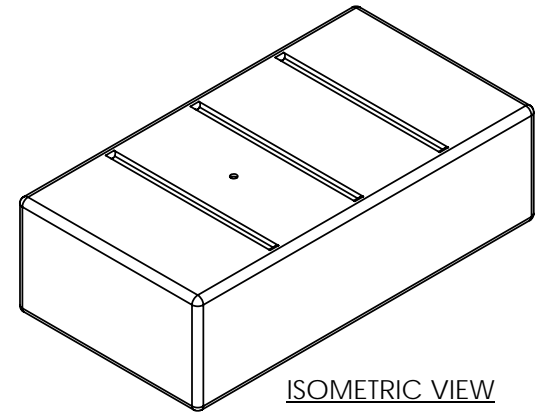


TOP VIEW



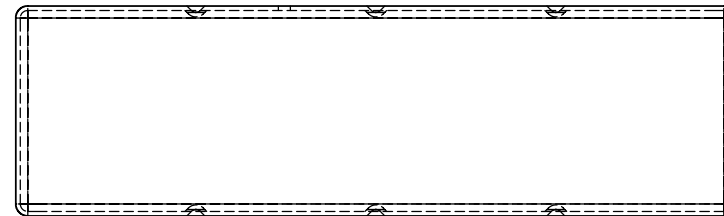
FRONT VIEW



ISOMETRIC VIEW


NOTES (approx.):

WEIGHT: 12 lb
 WALL THICKNESS: 3/16
 MAXIMUM CAPACITY:
 13.90 imp gal
 16.70 u.s. gal



SIDE VIEW

Copyright © 2008 Quality Molded Plastics LTD.

PROPRIETARY AND CONFIDENTIAL THE INFORMATION CONTAINED IN THIS DRAWING IS THE SOLE PROPERTY OF QUALITY MOLDED PLASTICS LTD. ANY REPRODUCTION IN PART OR AS A WHOLE WITHOUT THE WRITTEN PERMISSION OF QUALITY MOLDED PLASTICS LTD. IS PROHIBITED.	CLIENT NAME: Q.M.P.	MATERIAL: LLDPE	DATE: JUN/01/2009	DRAWN BY: JOSE H.	DESCRIPTION: BOX,14 GAL,RECT,16x31x8	REV Y
	APPROXIMATE WEIGHT (lb): 12	DO NOT SCALE DRAWING			SCALE: 1:12	PART NO.
	UNLESS OTHERWISE SPECIFIED:		 QUALITY MOLDED PLASTICS LTD. Site 412, P.O. Box 280, R.R.#4 SASKATOON, SK S7K 3J7		SHEET 1 OF 1	60027-1
	--- TOLERANCES --- LENGTH DIMENSION: ± 1% ANGULAR: ± 1.0°	DIMENSIONS ARE IN INCHES				