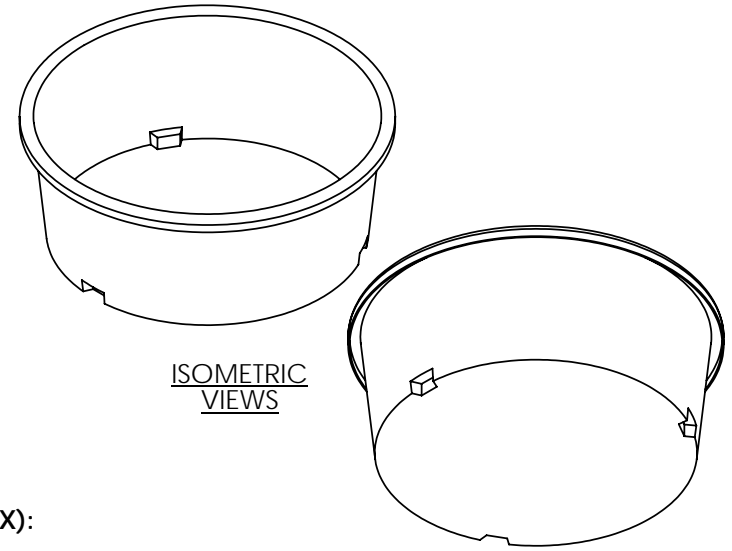


TOP VIEW

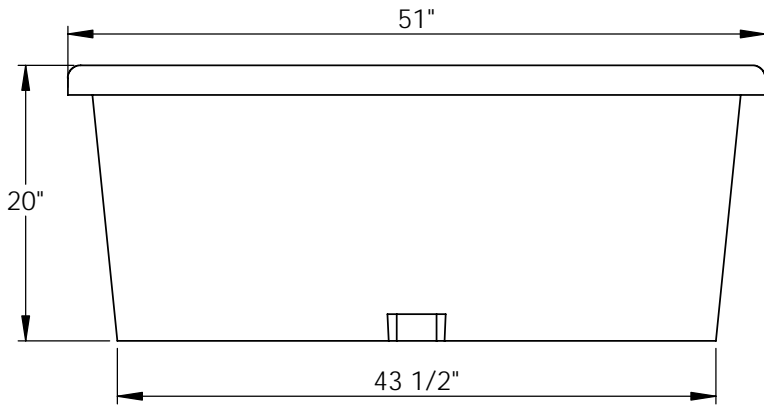


ISOMETRIC VIEWS

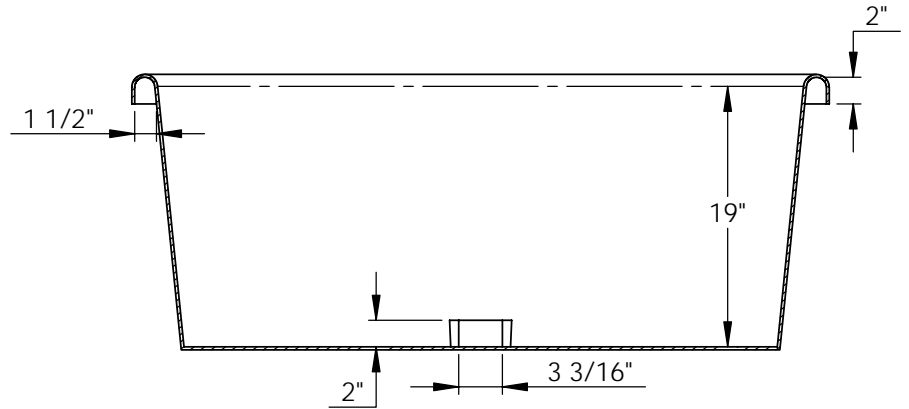
NOTES (APPROX):

WALL THICKNESS: 0.22"

CAPACITY (UP TO 19"):
108.41 imp gal
130.21 u.s. gal




FRONT VIEW



SECTION VIEW

Copyright © 2008 Quality Molded Plastics LTD.

PROPRIETARY AND CONFIDENTIAL THE INFORMATION CONTAINED IN THIS DRAWING IS THE SOLE PROPERTY OF QUALITY MOLDED PLASTICS LTD. ANY REPRODUCTION IN PART OR AS A WHOLE WITHOUT THE WRITTEN PERMISSION OF QUALITY MOLDED PLASTICS LTD. IS PROHIBITED.	CLIENT NAME: Q.M.P.	MATERIAL: LLDPE	DATE: MAR/02/2010	DRAWN BY: JOSE H.	DESCRIPTION: TROUGH, FEED & WATER, 115 GAL	REV Y
	APPROXIMATE WEIGHT (lb): 35	DO NOT SCALE DRAWING				
	UNLESS OTHERWISE SPECIFIED:		 QUALITY MOLDED PLASTICS LTD. Site 412, P.O. Box 280, R.R.#4 SASKATOON, SK S7K 3J7		SCALE: 1:50	PART NO.
	--- TOLERANCES --- LENGTH DIMENSION: ± 1% ANGULAR: ± 1.0°	DIMENSIONS ARE IN INCHES			SHEET 1 OF 1	60029-1