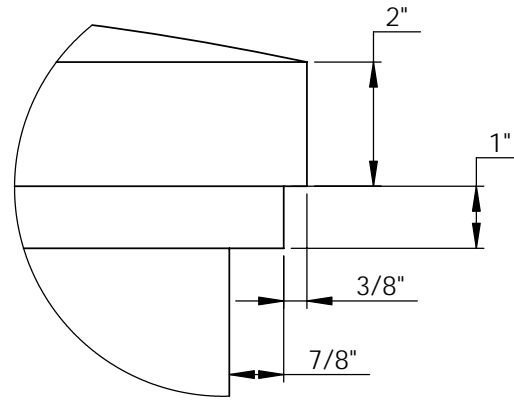


FRONT VIEW



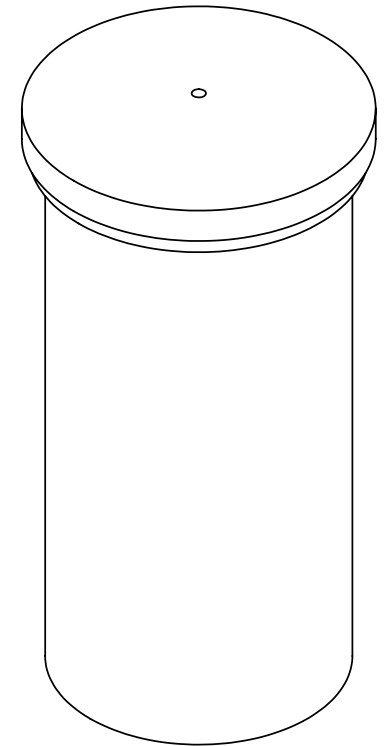
DETAIL VIEW

**NOTES (APPROX):**

WALL THICKNESS: 3/16"


CAPACITY (UP TO 32"):  
22.81 imp gal  
27.38 u.s. gal

CAPACITY (UNTRIMMED):  
24.87 imp gal  
29.86 u.s. gal



ISOMETRIC VIEW

Copyright © 2008 Quality Molded Plastics LTD.

<b>PROPRIETARY AND CONFIDENTIAL</b> THE INFORMATION CONTAINED IN THIS DRAWING IS THE SOLE PROPERTY OF QUALITY MOLDED PLASTICS LTD. ANY REPRODUCTION IN PART OR AS A WHOLE WITHOUT THE WRITTEN PERMISSION OF QUALITY MOLDED PLASTICS LTD. IS PROHIBITED.	CLIENT NAME: <b>Q.M.P.</b>	MATERIAL: LLDPE	DATE: JUL/21/2009	DRAWN BY: JOSE H.	DESCRIPTION: <b>BARREL, 25 GAL, 16x33</b>	REV <b>Y</b>
	APPROXIMATE WEIGHT (lb): 12	DO NOT SCALE DRAWING				
	<b>UNLESS OTHERWISE SPECIFIED:</b>		 <b>QUALITY MOLDED PLASTICS LTD.</b> Site 412, P.O. Box 280, R.R.#4 SASKATOON, SK S7K 3J7		SCALE: 1:20	PART NO.
	--- TOLERANCES --- LENGTH DIMENSION: ± 1% ANGULAR: ± 1.0°	DIMENSIONS ARE IN INCHES			SHEET 1 OF 1	<b>60054-1</b>