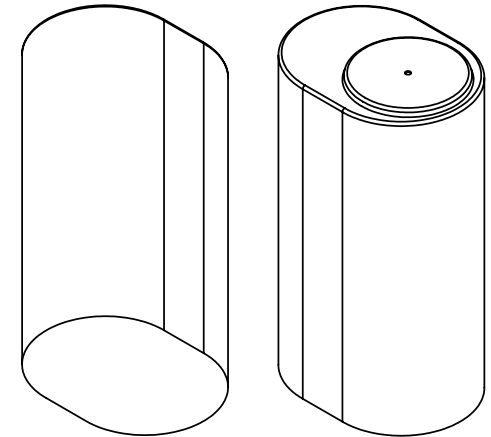
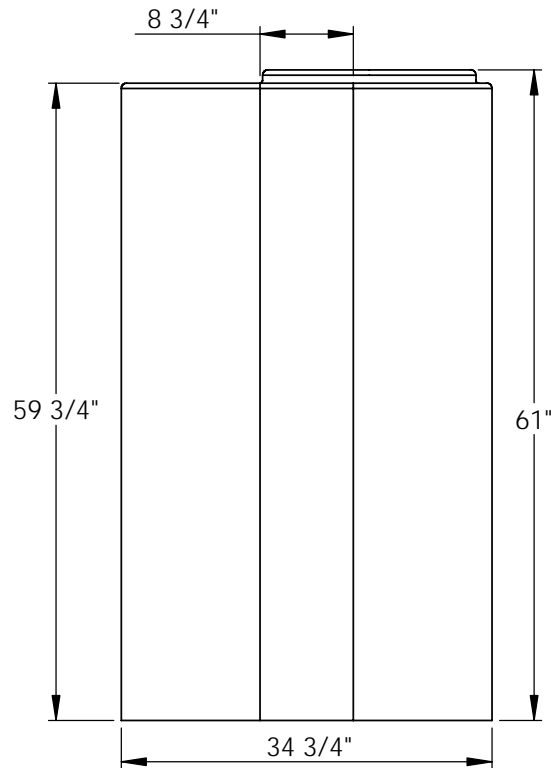


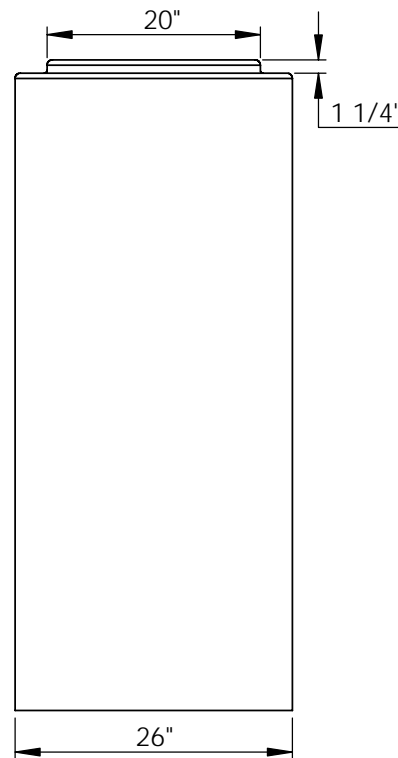
TOP VIEW



ISOMETRIC VIEWS



FRONT VIEW




SIDE VIEW

NOTES (APPROX):

WALL THICKNESS: 0.2"

CAPACITY:
159.59 imp gal
191.66 u.s. gal

Copyright © 2008 Quality Molded Plastics LTD.

PROPRIETARY AND CONFIDENTIAL THE INFORMATION CONTAINED IN THIS DRAWING IS THE SOLE PROPERTY OF QUALITY MOLDED PLASTICS LTD. ANY REPRODUCTION IN PART OR AS A WHOLE WITHOUT THE WRITTEN PERMISSION OF QUALITY MOLDED PLASTICS LTD. IS PROHIBITED.	CLIENT NAME: Q.M.P.	MATERIAL: LLDPE	DATE: SEP/28/2009	DRAWN BY: JOSE H.	DESCRIPTION: TANK, 150 GAL, OVAL VERTICAL	REV Y
	APPROXIMATE WEIGHT (lb): 47	DO NOT SCALE DRAWING				
	UNLESS OTHERWISE SPECIFIED:					
	--- TOLERANCES --- LENGTH DIMENSION: ± 1% ANGULAR: ± 1.0°	DIMENSIONS ARE IN INCHES			QUALITY MOLDED PLASTICS LTD. Site 412, P.O. Box 280, R.R.#4 SASKATOON, SK S7K 3J7	SCALE: 1:50 SHEET 1 OF 1