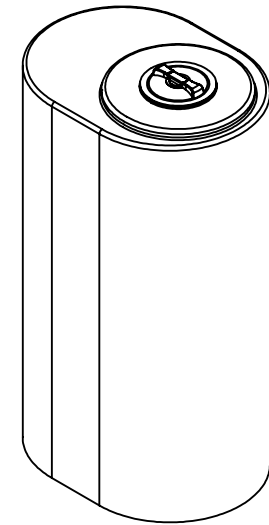


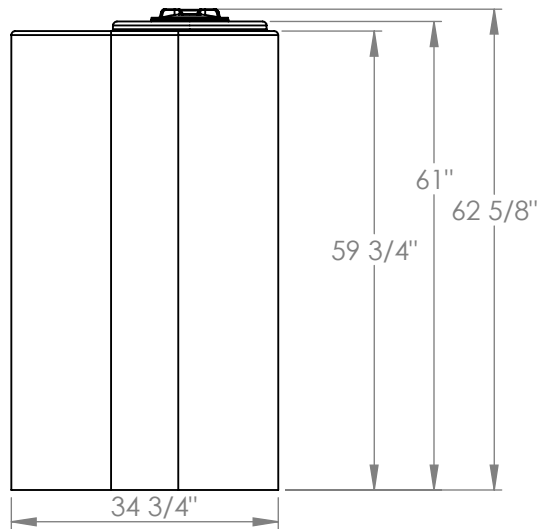
TOP VIEW

NOTES (APPROX):
WALL THICKNESS: 0.2"

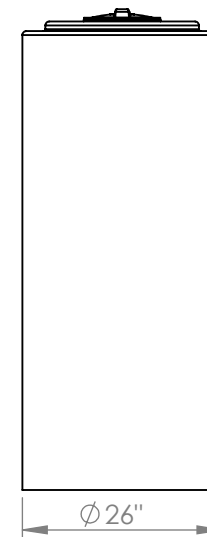
CAPACITY:
160 IMP. GAL
190 U.S. GAL
719 LITRE



ISOMETRIC VIEWS



FRONT VIEW



SIDE VIEW

Copyright © 2008 Quality Molded Plastics LTD.

PROPRIETARY AND CONFIDENTIAL
THE INFORMATION CONTAINED IN THIS DRAWING IS THE SOLE PROPERTY OF QUALITY MOLDED PLASTICS LTD. ANY REPRODUCTION IN PART OR AS A WHOLE WITHOUT THE WRITTEN PERMISSION OF QUALITY MOLDED PLASTICS LTD. IS PROHIBITED.

CLIENT NAME:
QMP
APPROXIMATE WEIGHT (lb): 49
UNLESS OTHERWISE SPECIFIED:
--- TOLERANCES ---
LENGTH DIMENSION: ± 1%
ANGULAR: ± 1.0°
DIMENSIONS ARE IN INCHES

MATERIAL:
LLDPE
DATE:
OCT 23, 2018
DRAWN BY:
S.APPLETON
QMP QUALITY MOLDED PLASTICS LTD.
Site 412, P.O. Box 280, R.R.#4
SASKATOON, SK S7K 3J7

DESCRIPTION:
TANK, 190 US GAL, OVAL VERT, ASSY
SCALE: 1:25
SHEET 1 OF 1
PART NO.
60059-2
REV
1

DO NOT SCALE DRAWING