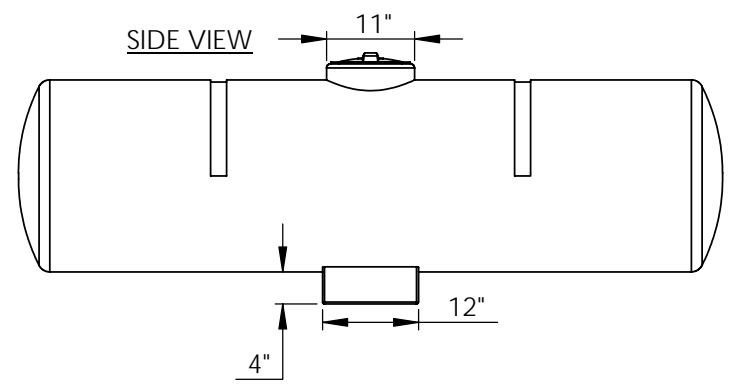
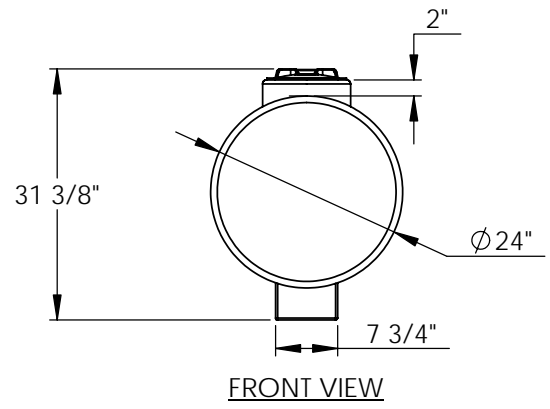


**NOTES (APPROX):**  
 WALL THICKNESS: 0.2"  
 CAPACITY:  
 135.53 imp gal  
 162.77 u.s. gal



Copyright © 2008 Quality Molded Plastics LTD.

<b>PROPRIETARY AND CONFIDENTIAL</b> THE INFORMATION CONTAINED IN THIS DRAWING IS THE SOLE PROPERTY OF QUALITY MOLDED PLASTICS LTD. ANY REPRODUCTION IN PART OR AS A WHOLE WITHOUT THE WRITTEN PERMISSION OF QUALITY MOLDED PLASTICS LTD. IS PROHIBITED.	CLIENT NAME: Q.M.P.	MATERIAL: LLDPE	DATE: JUN/08/2009	DRAWN BY: JOSE H.	DESCRIPTION: <b>TANK, 130 GAL, ROUND HORIZ</b>	REV <b>Y</b>
	APPROXIMATE WEIGHT (lb): 50	DO NOT SCALE DRAWING				
	<b>UNLESS OTHERWISE SPECIFIED:</b>		<b>QMP</b> QUALITY MOLDED PLASTICS LTD. Site 412, P.O. Box 280, R.R.#4 SASKATOON, SK S7K 3J7		SCALE: 1:50	PART NO.
	--- TOLERANCES --- LENGTH DIMENSION: ± 1% ANGULAR: ± 1.0°	DIMENSIONS ARE IN INCHES			SHEET 1 OF 1	<b>60061-1</b>