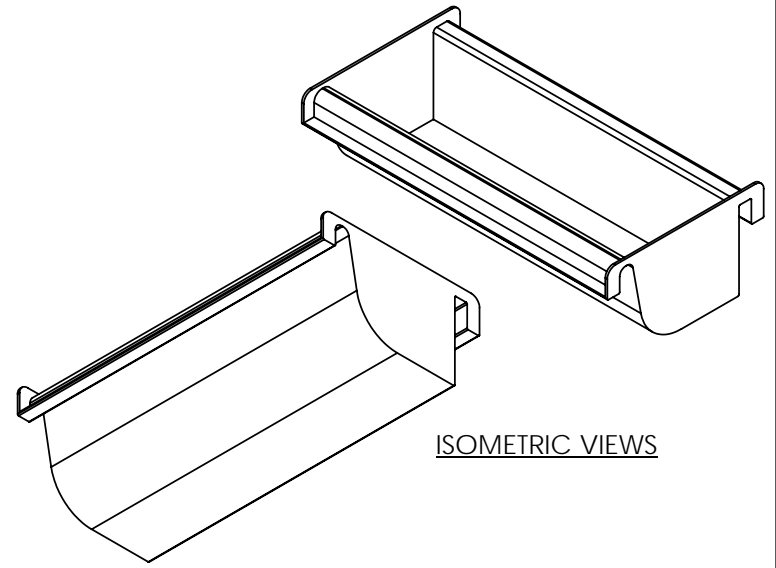


TOP VIEW

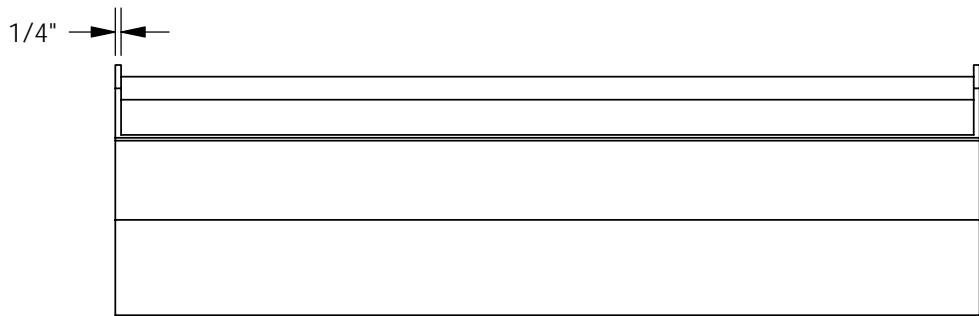


ISOMETRIC VIEWS

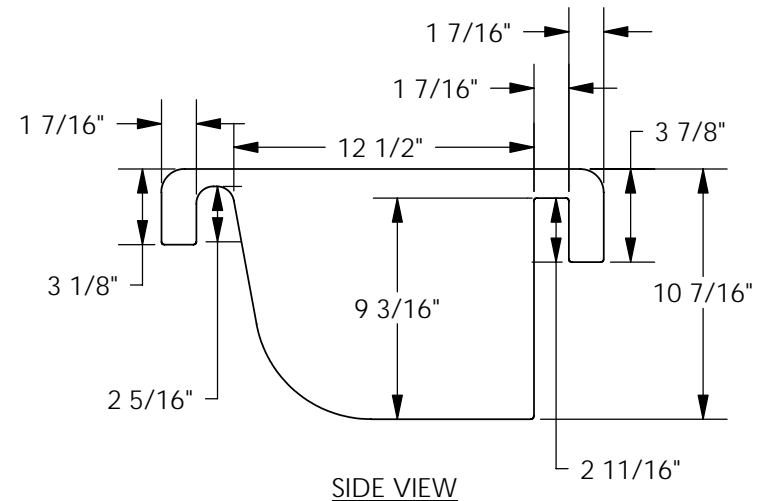
NOTES (APPROX):

WALL THICKNESS: 1/4"

CAPACITY (UP TO 9 3/16"):
12.31 imp gal
14.79 u.s. gal




FRONT VIEW



SIDE VIEW

Copyright © 2006 Quality Molded Plastics LTD.

PROPRIETARY AND CONFIDENTIAL THE INFORMATION CONTAINED IN THIS DRAWING IS THE SOLE PROPERTY OF QUALITY MOLDED PLASTICS LTD. ANY REPRODUCTION IN PART OR AS A WHOLE WITHOUT THE WRITTEN PERMISSION OF QUALITY MOLDED PLASTICS LTD. IS PROHIBITED.	CLIENT NAME: Q.M.P.	MATERIAL: LLDPE	DATE: SEP/04/2008	DRAWN BY: JOSE H.	DESCRIPTION: TROUGH,HANGING,36"	REV Y
	APPROXIMATE WEIGHT (lb): 14	DO NOT SCALE DRAWING				
	UNLESS OTHERWISE SPECIFIED:		 QUALITY MOLDED PLASTICS LTD. Site 412, P.O. Box 280, R.R.#4 SASKATOON, SK S7K 3J7		SCALE: 1:12	PART NO.
	--- TOLERANCES --- LENGTH DIMENSION: ± 1% ANGULAR: ± 1.0°	DIMENSIONS ARE IN INCHES			SHEET 1 OF 1	60064-1