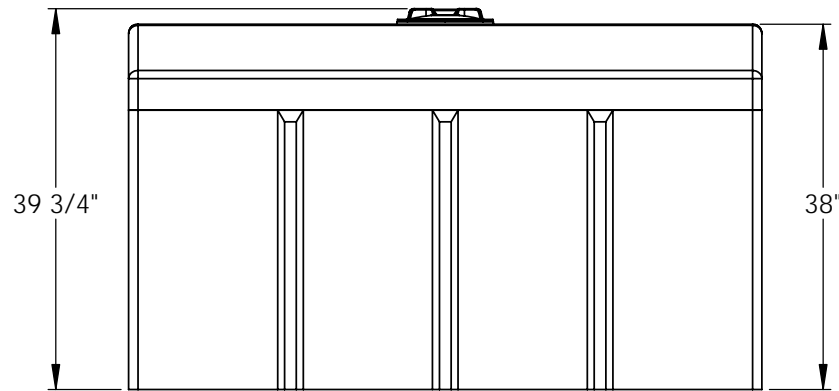
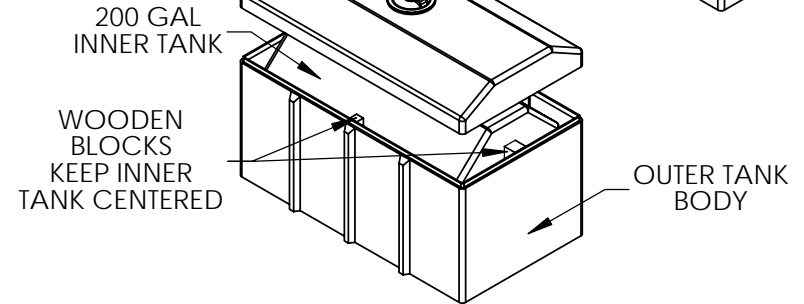
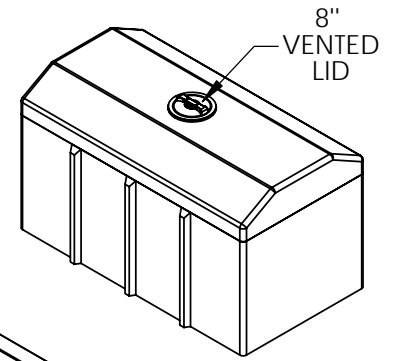


ISOMETRIC VIEWS

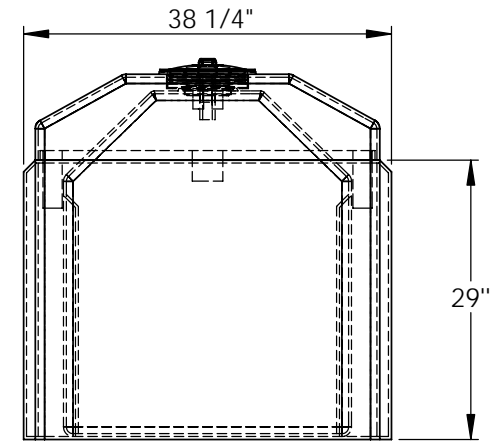


FRONT VIEW

NOTES (APPROX):

WALL THICKNESS OF EACH TANK: 0.3"

INNER TANK CAPACITY:  
197.11 imp gal  
236.72 u.s. gal



SIDE VIEW

Copyright © 2008 Quality Molded Plastics LTD.

<b>PROPRIETARY AND CONFIDENTIAL</b> THE INFORMATION CONTAINED IN THIS DRAWING IS THE SOLE PROPERTY OF QUALITY MOLDED PLASTICS LTD. ANY REPRODUCTION IN PART OR AS A WHOLE WITHOUT THE WRITTEN PERMISSION OF QUALITY MOLDED PLASTICS LTD. IS PROHIBITED.	CLIENT NAME: <b>Q.M.P.</b>	MATERIAL: LLDPE	DATE: JUL/21/2009	DRAWN BY: JOSE H.	DESCRIPTION: <b>TANK ASSY, 200 GAL, LOAF, V/RGR</b>	REV <b>Y</b>
	APPROXIMATE WEIGHT (lb): 225	DO NOT SCALE DRAWING				
	<b>UNLESS OTHERWISE SPECIFIED:</b>		<b>QMP</b>		SCALE: 1:50	PART NO.
	--- TOLERANCES --- LENGTH DIMENSION: ± 1% ANGULAR: ± 1.0°	DIMENSIONS ARE IN INCHES			SHEET 1 OF 1	<b>60081-1</b>
		QUALITY MOLDED PLASTICS LTD. Site 412, P.O. Box 280, R.R.#4 SASKATOON, SK S7K 3J7				