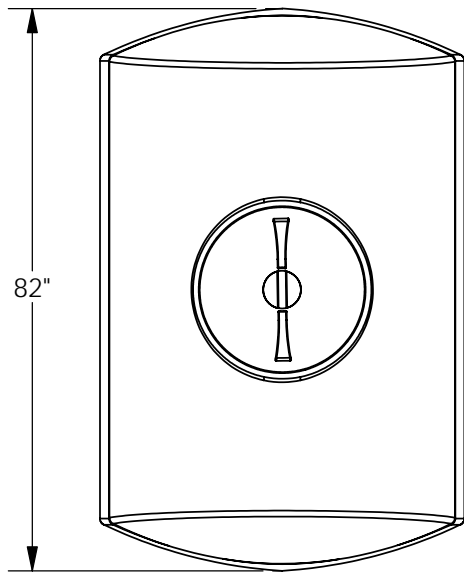
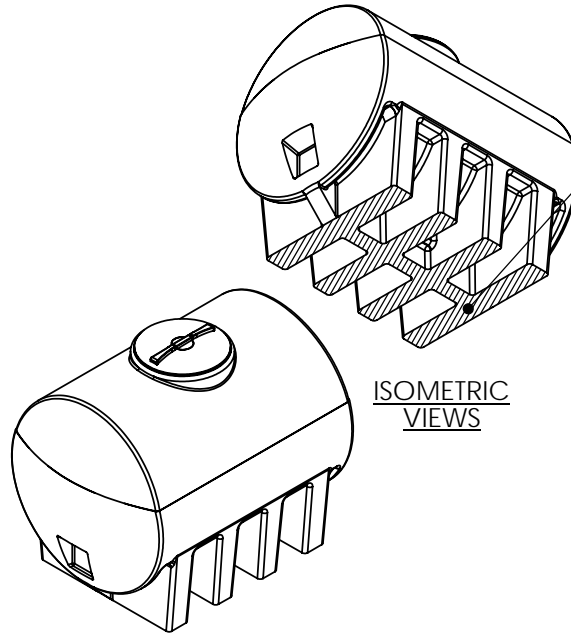


Copyright © 2006 Quality Molded Plastics LTD.

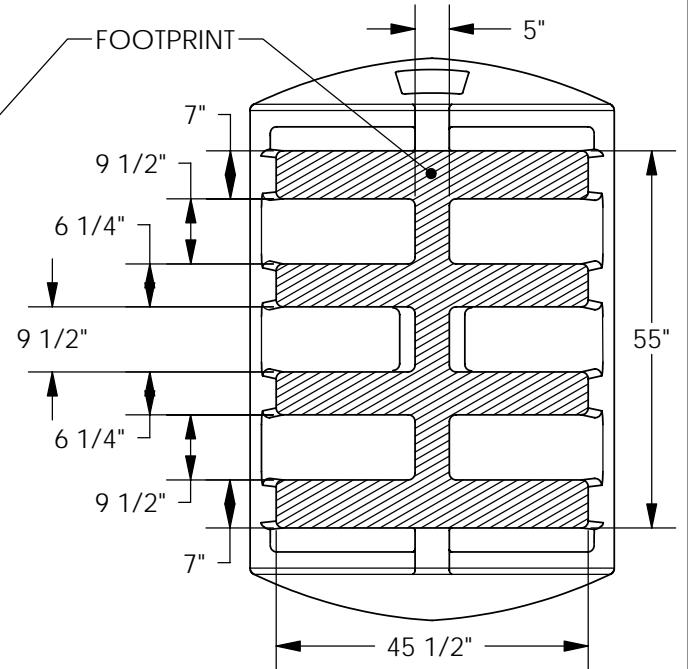
<b>PROPRIETARY AND CONFIDENTIAL</b> THE INFORMATION CONTAINED IN THIS DRAWING IS THE SOLE PROPERTY OF QUALITY MOLDED PLASTICS LTD. ANY REPRODUCTION IN PART OR AS A WHOLE WITHOUT THE WRITTEN PERMISSION OF QUALITY MOLDED PLASTICS LTD. IS PROHIBITED.	CLIENT NAME: QMP	MATERIAL: LLDPE	DATE: Feb. 27, 2008	DRAWN BY: JOSE H.	DESCRIPTION: <b>TANK ASSY, 420 GAL LEG TANK</b>	REV <b>0</b>
	CLIENT PART #: 60088		DO NOT SCALE DRAWING			
	<b>UNLESS OTHERWISE SPECIFIED:</b>		<b>QMP</b>	QUALITY MOLDED PLASTICS LTD. Site 412, P.O. Box 280, R.R.#4 SASKATOON, SK S7K 3J7	SCALE: 1:48 SHEET 1 OF 2	PART NO. <b>60088-1</b>
	TOLERANCES: LENGTH DIMENSION: ± 1% ANGULAR: ± 1.0°	DIMENSIONS ARE IN INCHES				



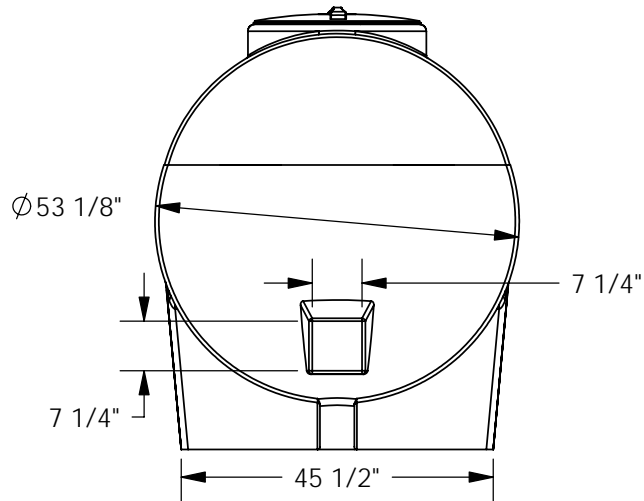
TOP VIEW



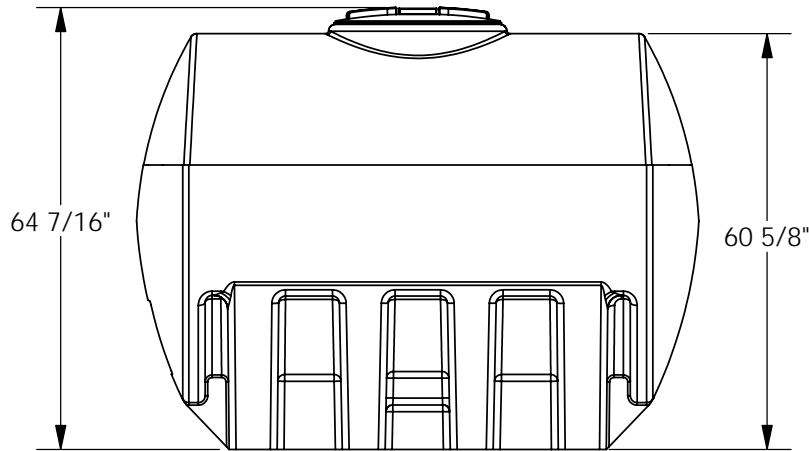
ISOMETRIC VIEWS



BOTTOM VIEW



FRONT VIEW



SIDE VIEW

**PROPRIETARY AND CONFIDENTIAL**  
 THE INFORMATION CONTAINED IN THIS DRAWING IS THE SOLE PROPERTY OF QUALITY MOLDED PLASTICS LTD. ANY REPRODUCTION IN PART OR AS A WHOLE WITHOUT THE WRITTEN PERMISSION OF QUALITY MOLDED PLASTICS LTD. IS PROHIBITED.

CLIENT NAME:

**QMP**

MATERIAL:

LLDPE

DATE:

Feb. 27, 2008

DRAWN BY:

JOSE H.

DESCRIPTION:

**TANK ASSY, 420 GAL LEG TANK**

REV

**0**

UNLESS OTHERWISE SPECIFIED:

TOLERANCES:  
 LENGTH DIMENSION:  $\pm 0.5\%$   
 ANGULAR:  $\pm 1.0^\circ$

DIMENSIONS ARE  
 IN INCHES



**QUALITY MOLDED PLASTICS LTD.**

P.O. Box 280, R.R.4  
 SASKATOON, SK S7K 3J7

SCALE: 1:48

SHEET 2 OF 2

PART NO.

**60088-1**