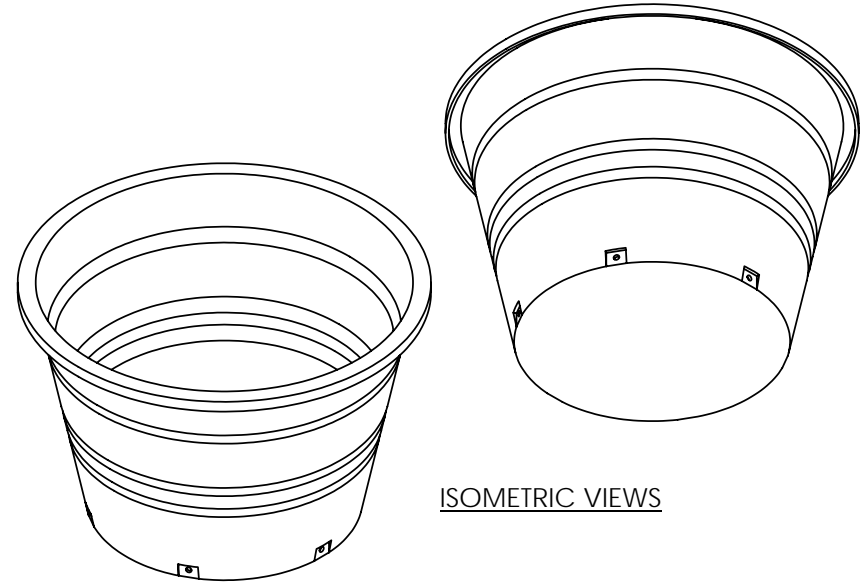
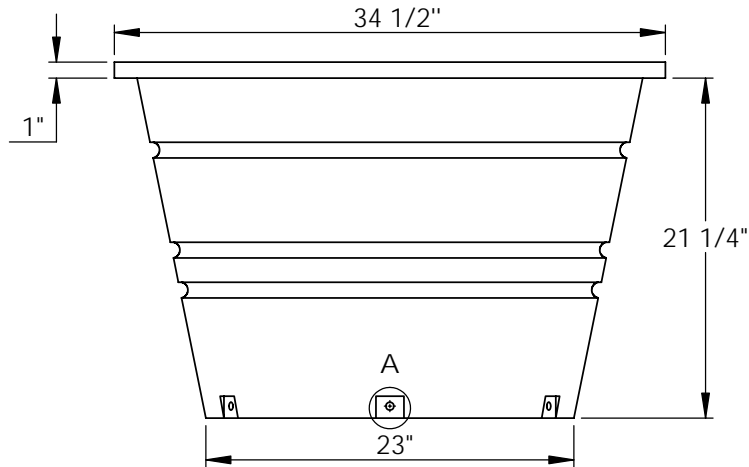


TOP VIEW

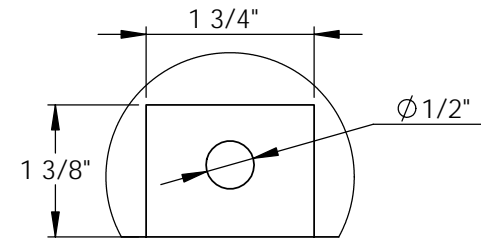


ISOMETRIC VIEWS




FRONT VIEW

NOTES (APPROX):
WALL THICKNESS: 0.275"



DETAIL VIEW

Copyright © 2008 Quality Molded Plastics LTD.

| | | | | | | |
|------------------------------------------------------------------------------------------------------------------------------------------------------------------------------------------------------------------------------------------------------------|-----------------------------------------------------------------|--------------------------|-------------------------------------------------------------------------------------------------------------------------------------------------------------------------------------|----------------------|-------------------------------------------------|-----------------|
| PROPRIETARY AND CONFIDENTIAL THE INFORMATION CONTAINED IN THIS DRAWING IS THE SOLE PROPERTY OF QUALITY MOLDED PLASTICS LTD. ANY REPRODUCTION IN PART OR AS A WHOLE WITHOUT THE WRITTEN PERMISSION OF QUALITY MOLDED PLASTICS LTD. IS PROHIBITED. | CLIENT NAME: Q.M.P. | MATERIAL: LLDPE | DATE: JUN/11/2009 | DRAWN BY: JOSE H. | DESCRIPTION: POT,PLANTING,30x21,HWRGR | REV Y |
| | APPROXIMATE WEIGHT (lb): 25 | DO NOT SCALE DRAWING | | | | |
| | UNLESS OTHERWISE SPECIFIED: | |  QUALITY MOLDED PLASTICS LTD. Site 412, P.O. Box 280, R.R.#4 SASKATOON, SK S7K 3J7 | | SCALE: 1:20 | PART NO. |
| | --- TOLERANCES --- LENGTH DIMENSION: ± 1% ANGULAR: ± 1.0° | DIMENSIONS ARE IN INCHES | | | SHEET 1 OF 1 | 60089-1 |