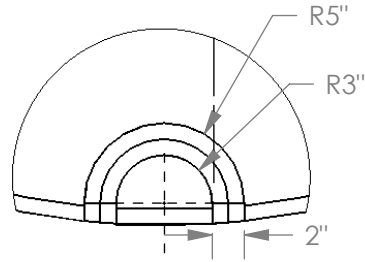
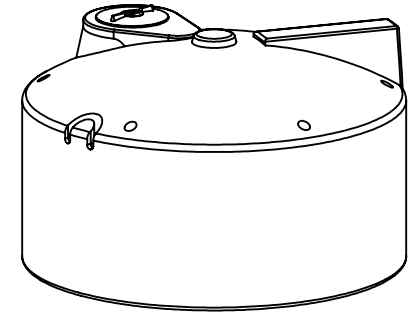


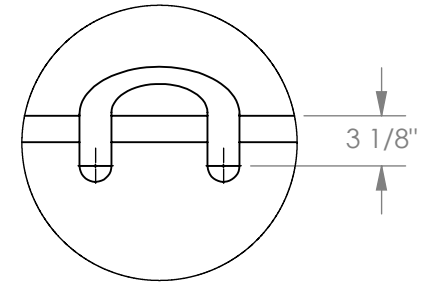
TOP VIEW



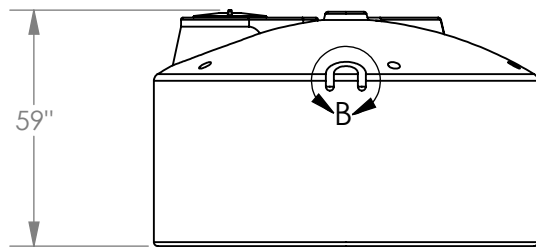
DETAIL A  
SCALE 1 : 12



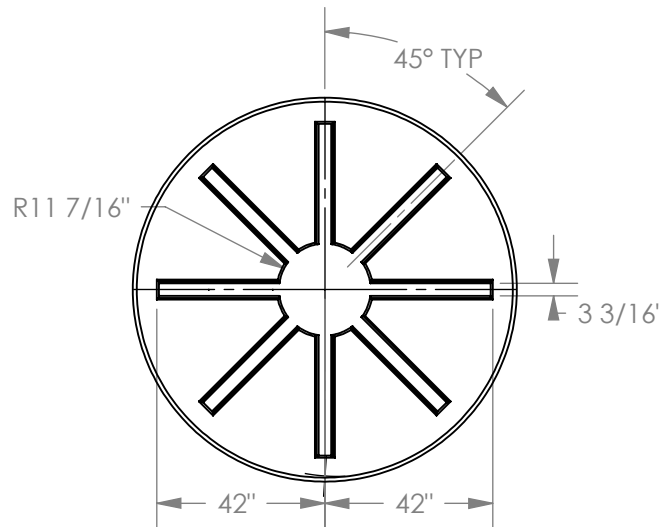
ISOMETRIC VIEW



DETAIL B  
SCALE 1 : 12



FRONT VIEW



BOTTOM VIEW

**NOTES (APPROX):**

CAPACITY:  
1300 IMP. GAL  
1560 US GAL  
5905 LITRES

WHITE TANK PART #60096-1  
BLACK TANK PART #60182-1

Copyright © 2006 Quality Molded Plastics LTD.

**PROPRIETARY AND CONFIDENTIAL**  
THE INFORMATION CONTAINED IN THIS DRAWING IS THE SOLE PROPERTY OF QUALITY MOLDED PLASTICS LTD. ANY REPRODUCTION IN PART OR AS A WHOLE WITHOUT THE WRITTEN PERMISSION OF QUALITY MOLDED PLASTICS LTD. IS PROHIBITED.

CLIENT NAME:  
QMP

CLIENT PART #:

**UNLESS OTHERWISE SPECIFIED:**

TOLERANCES:  
LENGTH DIMENSION: ± 1%  
ANGULAR: ± 1.0°

DIMENSIONS ARE  
IN INCHES

MATERIAL:  
LLDPE

DATE:  
APRIL 27, 2020

DRAWN BY:  
S.APPLETON

DESCRIPTION:

**TANK, 1300 IMP GAL, FLAT BOTTOM**

REV  
**Y**

DO NOT SCALE DRAWING



**QUALITY MOLDED PLASTICS LTD.**  
Site 412, P.O. Box 280, R.R.#4  
SASKATOON, SK S7K 3J7

SCALE: 1:48  
SHEET 1 OF 1

PART NO.

**60096-01**