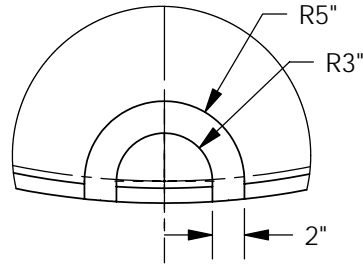
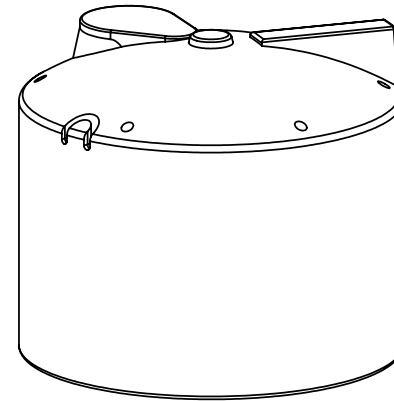


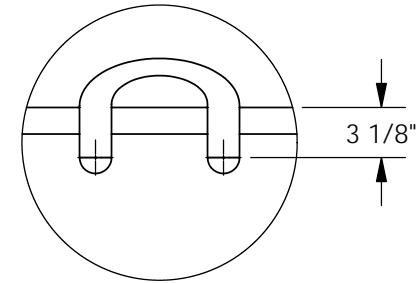
TOP VIEW



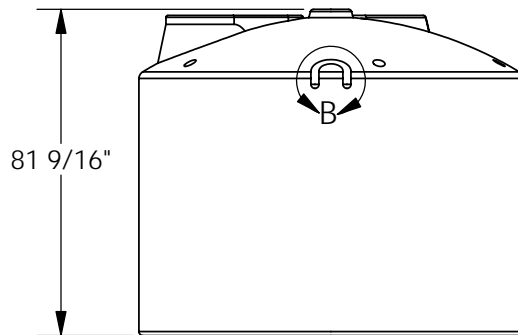
DETAIL A
SCALE 1 : 12



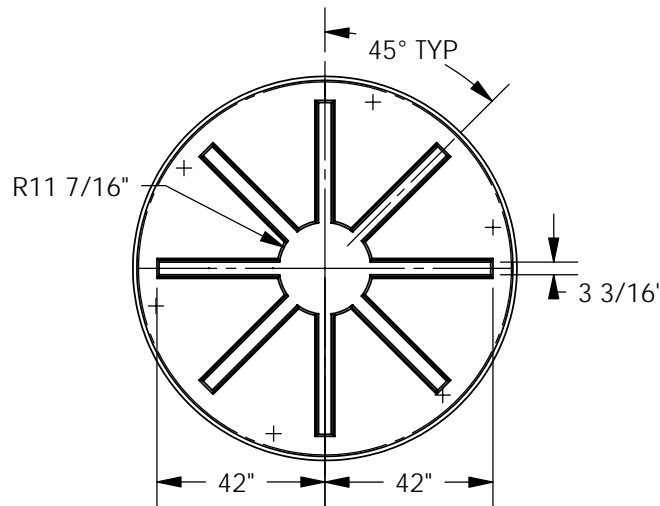
ISOMETRIC VIEW



DETAIL B
SCALE 1 : 12



FRONT VIEW



BOTTOM VIEW

Copyright © 2006 Quality Molded Plastics LTD.

PROPRIETARY AND CONFIDENTIAL THE INFORMATION CONTAINED IN THIS DRAWING IS THE SOLE PROPERTY OF QUALITY MOLDED PLASTICS LTD. ANY REPRODUCTION IN PART OR AS A WHOLE WITHOUT THE WRITTEN PERMISSION OF QUALITY MOLDED PLASTICS LTD. IS PROHIBITED.	CLIENT NAME:	MATERIAL: LLDPE 8460	DATE: 3/20/2007	DRAWN BY: BRAD W.	DESCRIPTION: TANK, 1850 GAL, FLAT BOTTOM	REV 1
	CLIENT PART #:	DO NOT SCALE DRAWING				
	UNLESS OTHERWISE SPECIFIED: TOLERANCES: LENGTH DIMENSION: ± 1% ANGULAR: ± 1.0°		QMP QUALITY MOLDED PLASTICS LTD. Site 412, P.O. Box 280, R.R.#4 SASKATOON, SK S7K 3J7		SCALE: 1:48 SHEET 1 OF 1	PART NO. 60097-XX