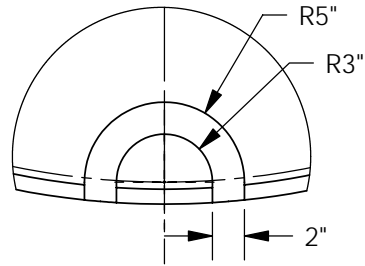
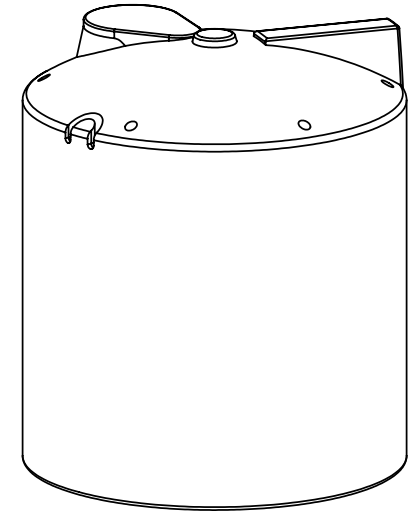


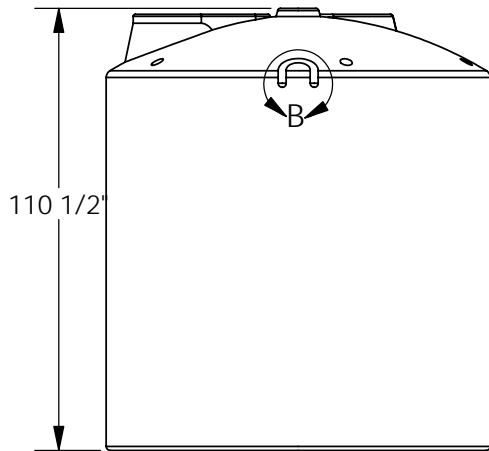
TOP VIEW



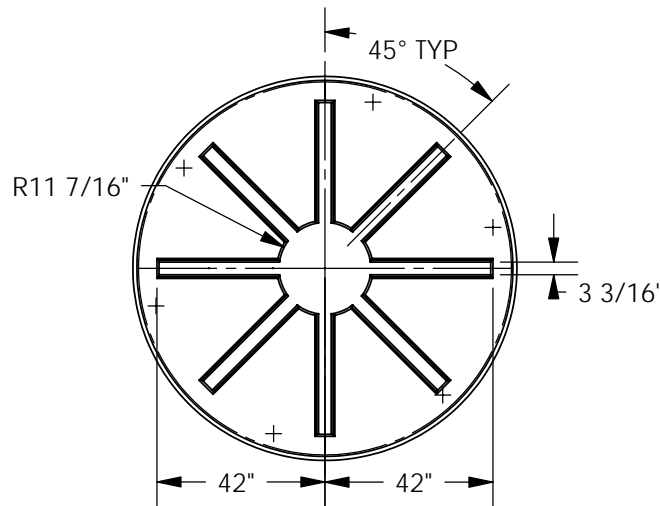
DETAIL A  
SCALE 1 : 12



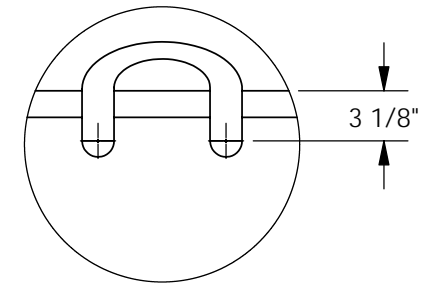
ISOMETRIC VIEW



FRONT VIEW



BOTTOM VIEW



DETAIL B  
SCALE 1 : 12

Copyright © 2006 Quality Molded Plastics LTD.

<b>PROPRIETARY AND CONFIDENTIAL</b> THE INFORMATION CONTAINED IN THIS DRAWING IS THE SOLE PROPERTY OF QUALITY MOLDED PLASTICS LTD. ANY REPRODUCTION IN PART OR AS A WHOLE WITHOUT THE WRITTEN PERMISSION OF QUALITY MOLDED PLASTICS LTD. IS PROHIBITED.	CLIENT NAME:	MATERIAL: LLDPE 8460	DATE: 3/20/2007	DRAWN BY: BRAD W.	DESCRIPTION: <b>TANK, 2580 GAL, FLAT BOTTOM</b>	REV <b>1</b>
	CLIENT PART #:	DO NOT SCALE DRAWING				
	<b>UNLESS OTHERWISE SPECIFIED:</b> TOLERANCES: LENGTH DIMENSION: ± 1% ANGULAR: ± 1.0°		<b>QMP</b> QUALITY MOLDED PLASTICS LTD. Site 412, P.O. Box 280, R.R.#4 SASKATOON, SK S7K 3J7		SCALE: 1:48 SHEET 1 OF 1	PART NO. <b>60098-XX</b>
DIMENSIONS ARE IN INCHES						