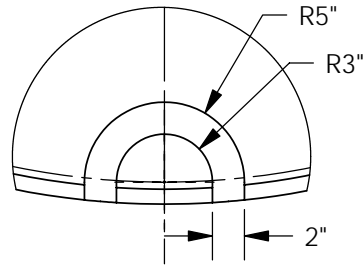
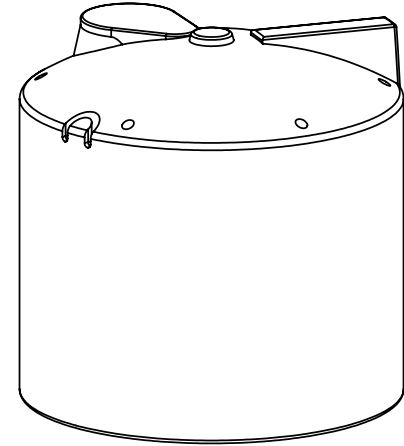


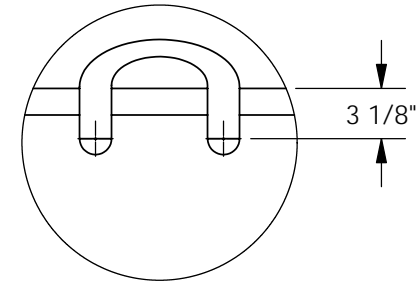
TOP VIEW



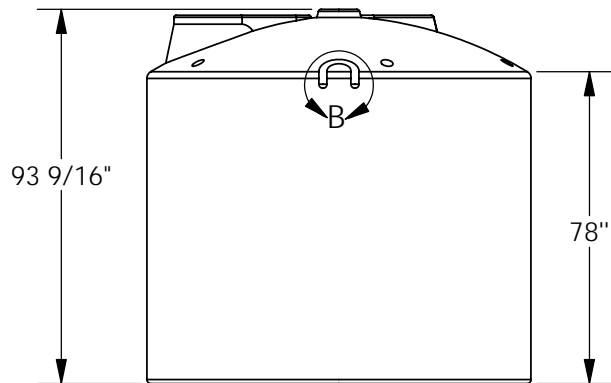
DETAIL A  
SCALE 1 : 12



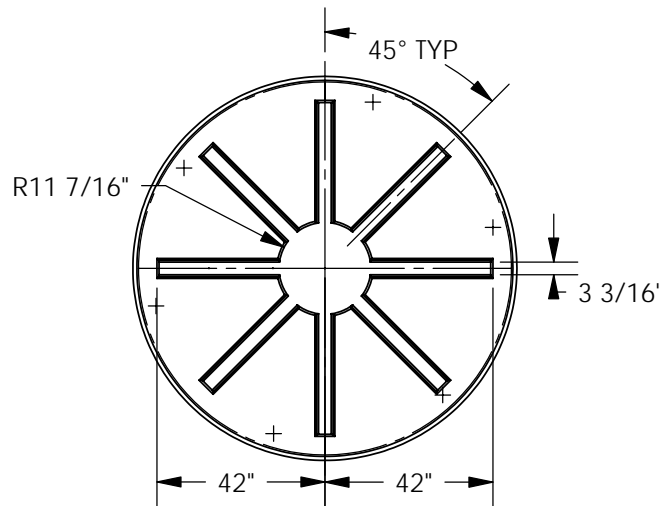
ISOMETRIC VIEW



DETAIL B  
SCALE 1 : 12



FRONT VIEW



BOTTOM VIEW

Copyright © 2006 Quality Molded Plastics LTD.

|  |   |                             |                    |   |   |                             |
|--|---|-----------------------------|--------------------|---|---|-----------------------------|
| <b>PROPRIETARY AND CONFIDENTIAL</b><br>THE INFORMATION CONTAINED IN THIS DRAWING IS THE SOLE PROPERTY OF QUALITY MOLDED PLASTICS LTD. ANY REPRODUCTION IN PART OR AS A WHOLE WITHOUT THE WRITTEN PERMISSION OF QUALITY MOLDED PLASTICS LTD. IS PROHIBITED. | CLIENT NAME:<br>Quality Molded Plastics | MATERIAL:<br>LLDPE 8460     | DATE:<br>3/22/2007 | DRAWN BY:<br>BRAD W.  | DESCRIPTION:<br><b>TANK, 2150 GAL, FLATBOTTOM</b> | REV<br><b>0</b>             |
|  | CLIENT PART #:<br>_____                 | DO NOT SCALE DRAWING        |                    |   |   |                             |
|  | <b>UNLESS OTHERWISE SPECIFIED:</b>      |                             | <b>QMP</b>         |   | SCALE: 1:48<br>SHEET 1 OF 1                       | PART NO.<br><b>60105-XX</b> |
| TOLERANCES:<br>LENGTH DIMENSION: ± 1%<br>ANGULAR: ± 1.0°   |   | DIMENSIONS ARE<br>IN INCHES |                    | QUALITY MOLDED PLASTICS LTD.<br>Site 412, P.O. Box 280, R.R.#4<br>SASKATOON, SK S7K 3J7 |   |                             |