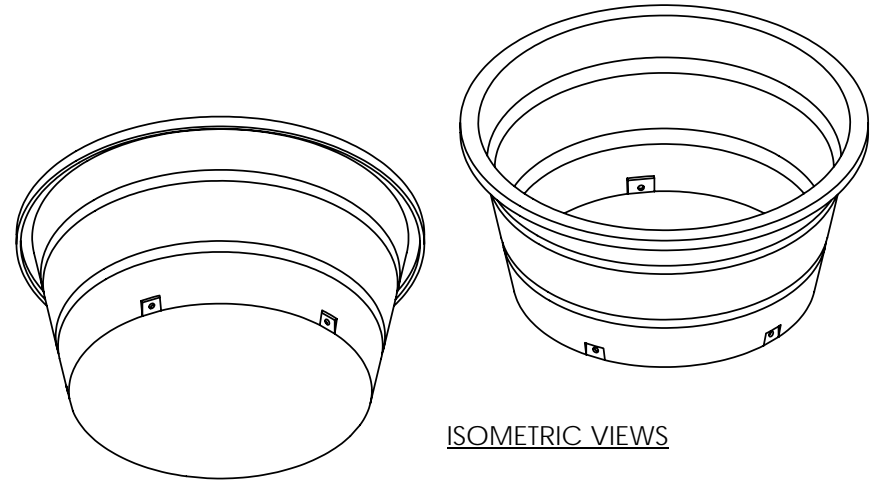
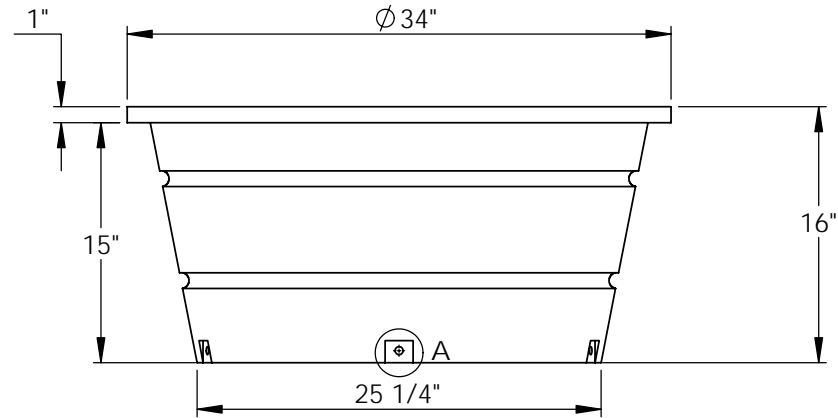


TOP VIEW



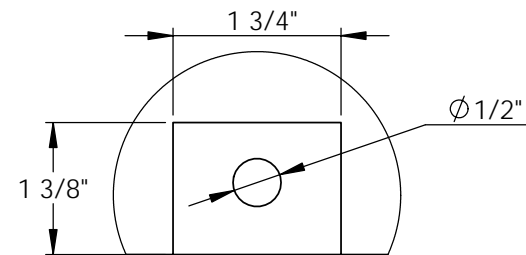
ISOMETRIC VIEWS



FRONT VIEW


NOTES (APPROX):

WALL THICKNESS: 1/4"



DETAIL VIEW

Copyright © 2008 Quality Molded Plastics LTD.

<b>PROPRIETARY AND CONFIDENTIAL</b> THE INFORMATION CONTAINED IN THIS DRAWING IS THE SOLE PROPERTY OF QUALITY MOLDED PLASTICS LTD. ANY REPRODUCTION IN PART OR AS A WHOLE WITHOUT THE WRITTEN PERMISSION OF QUALITY MOLDED PLASTICS LTD. IS PROHIBITED.	CLIENT NAME: <b>Q.M.P.</b>	MATERIAL: LLDPE	DATE: JUN/11/2009	DRAWN BY: JOSE H.	DESCRIPTION: <b>POT,PLANTING,30Dx15H,QMP</b>	REV <b>Y</b>
	APPROXIMATE WEIGHT (lb): 19	DO NOT SCALE DRAWING				
	<b>UNLESS OTHERWISE SPECIFIED:</b>		 <b>QUALITY MOLDED PLASTICS LTD.</b> Site 412, P.O. Box 280, R.R.#4 SASKATOON, SK S7K 3J7		SCALE: 1:20	PART NO.
	--- TOLERANCES --- LENGTH DIMENSION: ± 1% ANGULAR: ± 1.0°	DIMENSIONS ARE IN INCHES			SHEET 1 OF 1	<b>60111-1</b>