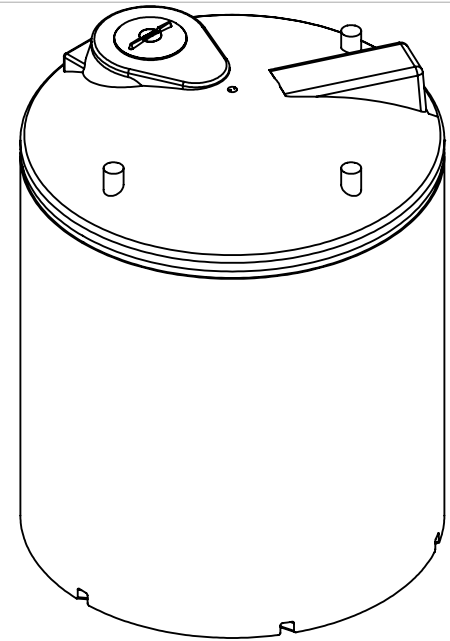
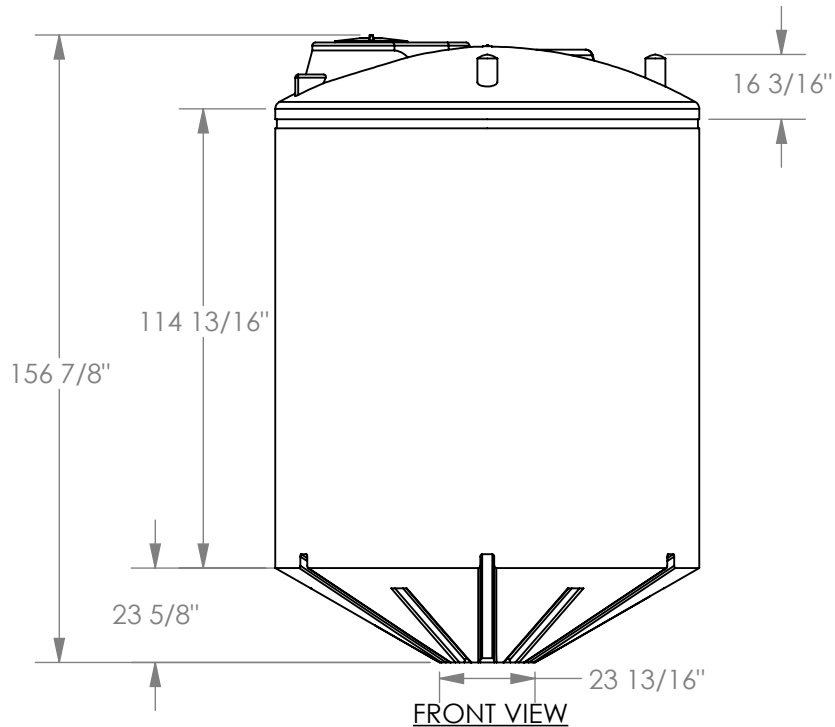


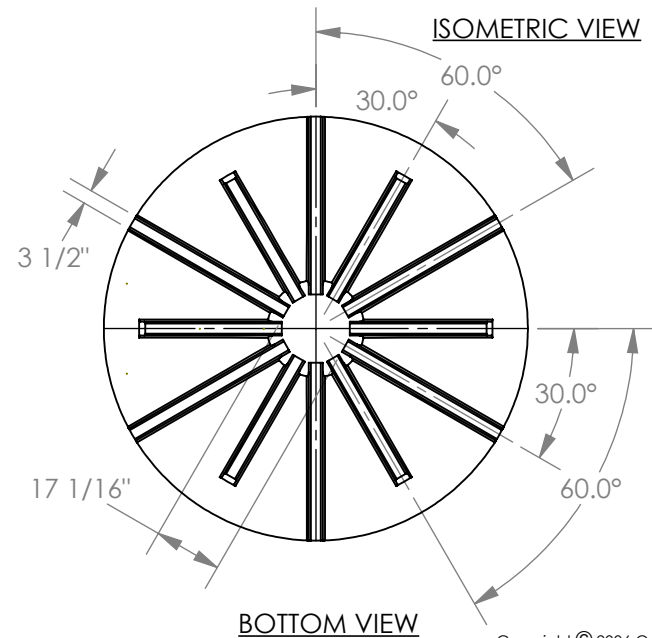
TOP VIEW



ISOMETRIC VIEW



FRONT VIEW



BOTTOM VIEW

Copyright © 2006 Quality Molded Plastics LTD.

PROPRIETARY AND CONFIDENTIAL
 THE INFORMATION CONTAINED IN THIS DRAWING IS THE SOLE PROPERTY OF QUALITY MOLDED PLASTICS LTD. ANY REPRODUCTION IN PART OR AS A WHOLE WITHOUT THE WRITTEN PERMISSION OF QUALITY MOLDED PLASTICS LTD. IS PROHIBITED.

CLIENT NAME:
 QUALITY MOLDED PLASTICS

CLIENT PART #: .

UNLESS OTHERWISE SPECIFIED:

TOLERANCES:
 LENGTH DIMENSION: ± 1%
 ANGULAR: ± 1.0°

DIMENSIONS ARE
 IN INCHES

MATERIAL:
 LLDPE

DATE:
 MAY 4, 2020

DRAWN BY:
 S.APPLETON

DO NOT SCALE DRAWING

DESCRIPTION:

TANK, 4000GAL, 30 DEG, CB

REV
Y



QUALITY MOLDED PLASTICS LTD.
 Site 412, P.O. Box 280, R.R.#4
 SASKATOON, SK S7K 3J7

SCALE: 1:48
 SHEET 1 OF 1

PART NO.
60115-3