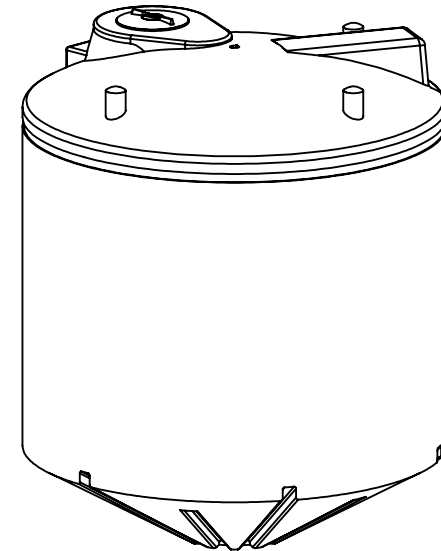
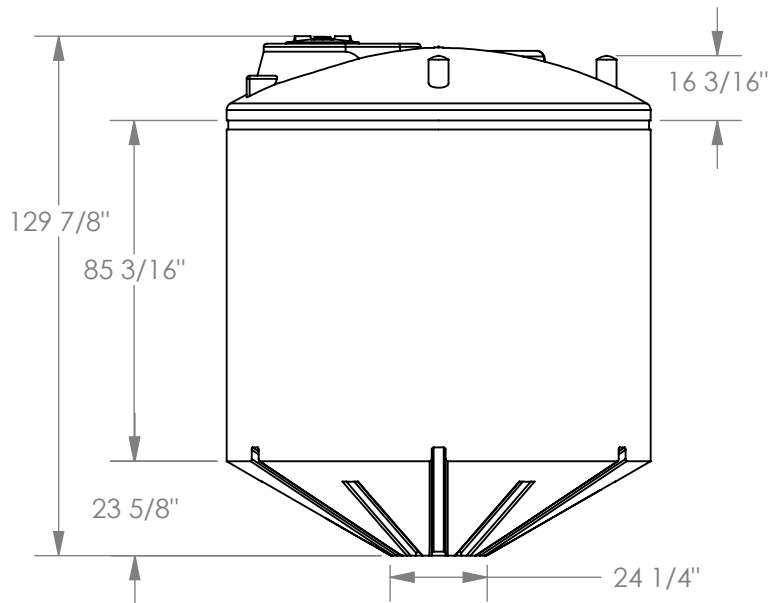


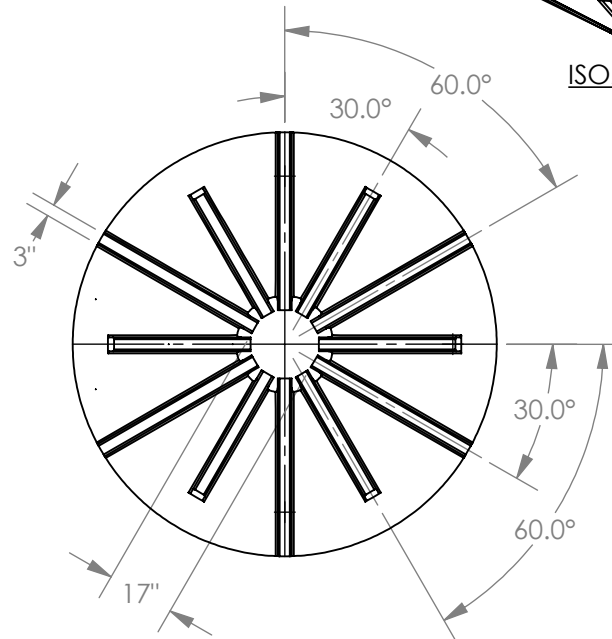
TOP VIEW



ISOMETRIC VIEW



FRONT VIEW



BOTTOM VIEW

Copyright © 2006 Quality Molded Plastics LTD.

PROPRIETARY AND CONFIDENTIAL
 THE INFORMATION CONTAINED IN THIS DRAWING IS THE SOLE PROPERTY OF QUALITY MOLDED PLASTICS LTD. ANY REPRODUCTION IN PART OR AS A WHOLE WITHOUT THE WRITTEN PERMISSION OF QUALITY MOLDED PLASTICS LTD. IS PROHIBITED.

CLIENT NAME:
 Q.M.P.

CLIENT PART #: 60126-1

UNLESS OTHERWISE SPECIFIED:

TOLERANCES:
 LENGTH DIMENSION: ± 1%
 ANGULAR: ± 1.0°

DIMENSIONS ARE
 IN INCHES

MATERIAL:
 LLDPE

DATE:
 DEC/29/2009

DRAWN BY:
 JOSE H.

DO NOT SCALE DRAWING

DESCRIPTION:

TANK, 3230 GAL, 30 DEG, CB

REV
Y



QUALITY MOLDED PLASTICS LTD.
 Site 412, P.O. Box 280, R.R.#4
 SASKATOON, SK S7K 3J7

SCALE: 1:48
 SHEET 1 OF 1

PART NO.

60126-1