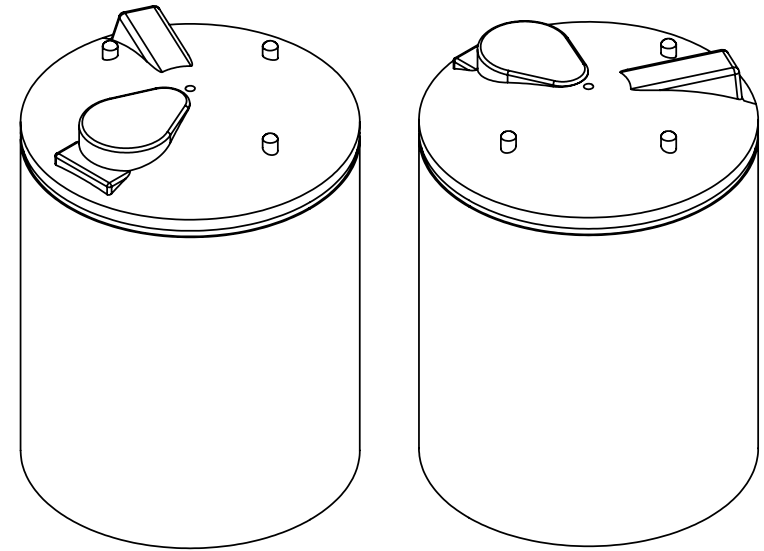
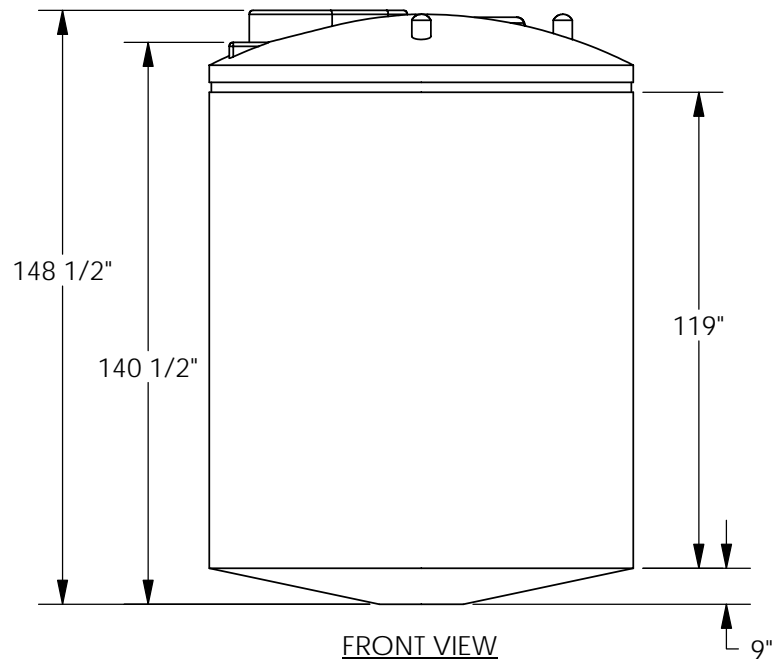


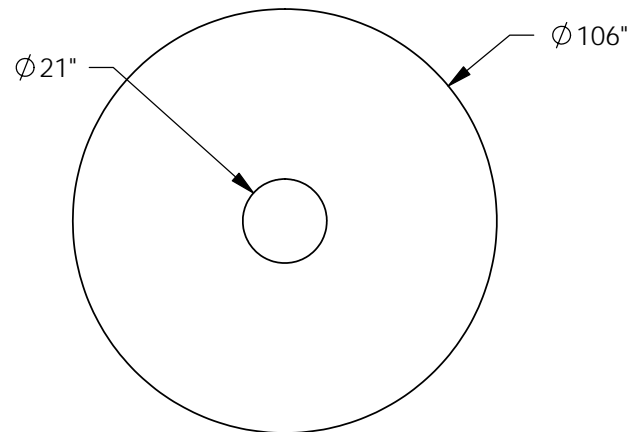
TOP VIEW



ISOMETRIC VIEW



FRONT VIEW



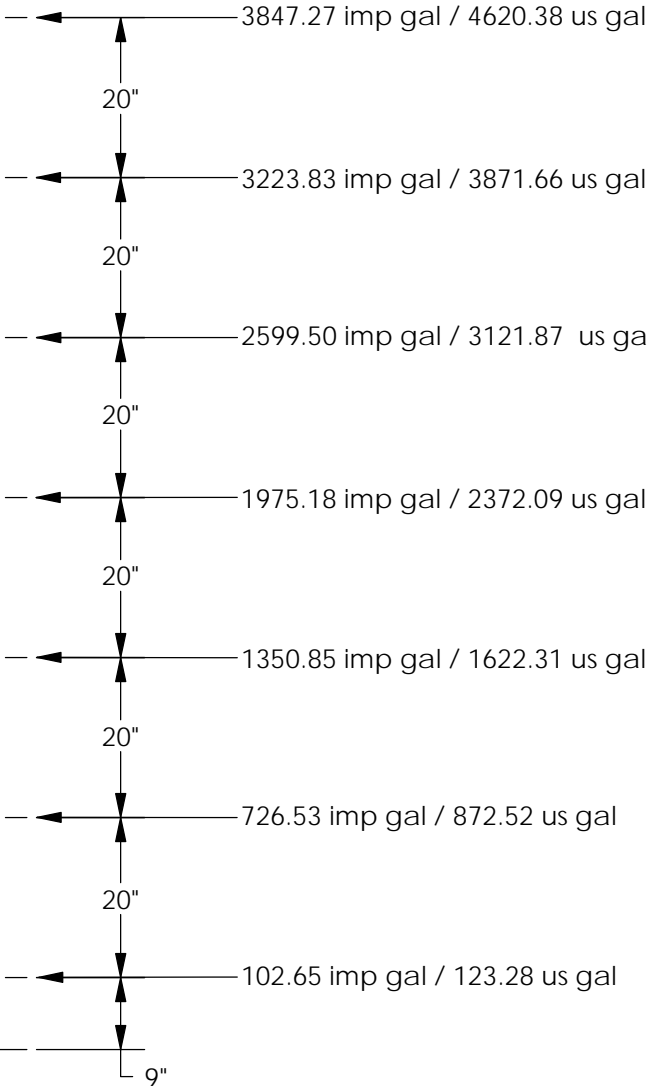
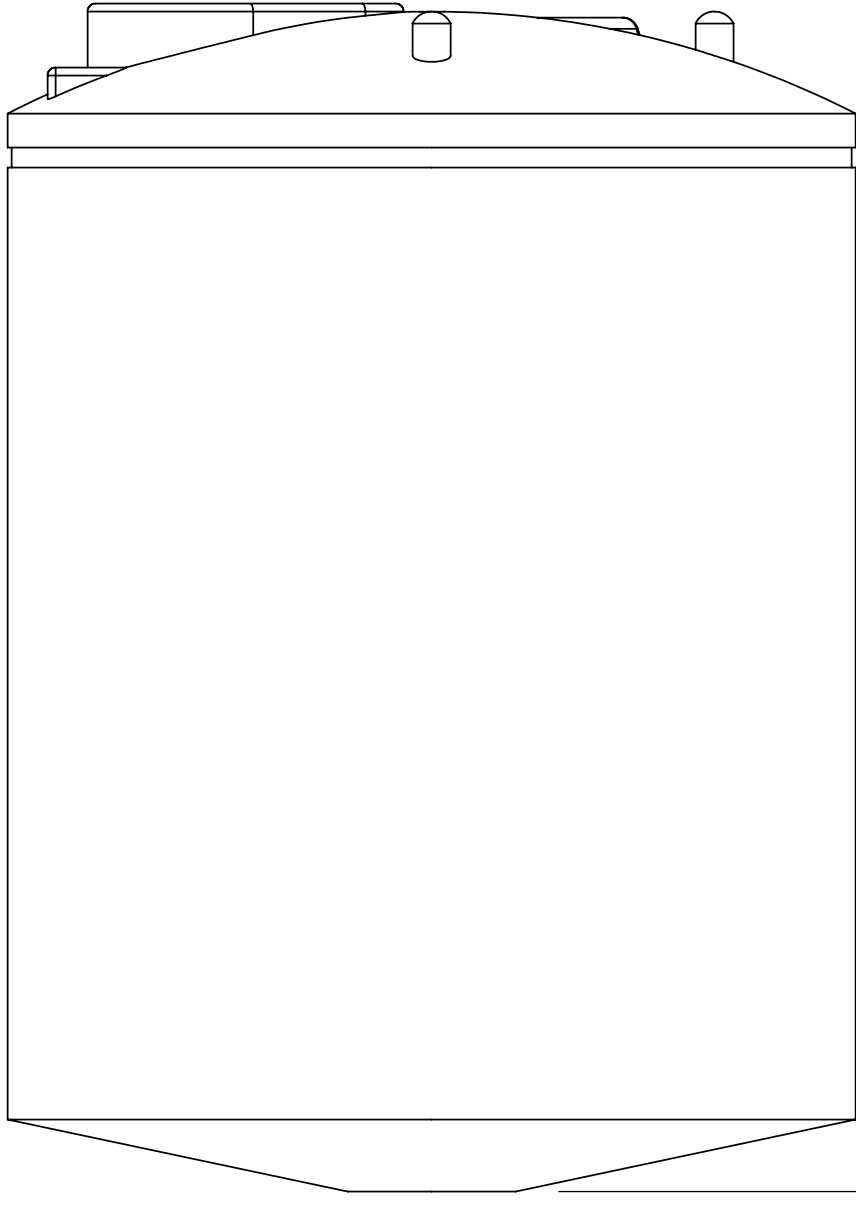
BOTTOM VIEW


**NOTES (APPROX):**  
 WALL THICKNESS: 1/2"  
 CAPACITY:  
 4235.31 imp gal  
 5086.40 u.s. gal  
 WEIGHT: 1032 lb

Copyright © 2006 Quality Molded Plastics LTD.

<b>PROPRIETARY AND CONFIDENTIAL</b> THE INFORMATION CONTAINED IN THIS DRAWING IS THE SOLE PROPERTY OF QUALITY MOLDED PLASTICS LTD. ANY REPRODUCTION IN PART OR AS A WHOLE WITHOUT THE WRITTEN PERMISSION OF QUALITY MOLDED PLASTICS LTD. IS PROHIBITED.	CLIENT NAME: Q.M.P.	MATERIAL: HDPE	DATE: MAR/22/2010	DRAWN BY: JOSE H.	DESCRIPTION: <b>TANK,4000 GAL,10 DEG,CB</b>	REV <b>Y</b>
	CLIENT PART #: 60128-0	DO NOT SCALE DRAWING			SCALE: 1:48	PART NO. <b>60128-0</b>
	<b>UNLESS OTHERWISE SPECIFIED:</b>		<b>QMP</b>	<b>QUALITY MOLDED PLASTICS LTD.</b> Site 412, P.O. Box 280, R.R.#4 SASKATOON, SK S7K 3J7	SHEET 1 OF 2	
	TOLERANCES: LENGTH DIMENSION: ± 1% ANGULAR: ± 1.0°	DIMENSIONS ARE IN INCHES				

# APPROXIMATE CAPACITY LEVELS



<b>PROPRIETARY AND CONFIDENTIAL</b> THE INFORMATION CONTAINED IN THIS DRAWING IS THE SOLE PROPERTY OF QUALITY MOLDED PLASTICS LTD. ANY REPRODUCTION IN PART OR AS A WHOLE WITHOUT THE WRITTEN PERMISSION OF QUALITY MOLDED PLASTICS LTD. IS PROHIBITED.	CLIENT NAME: Q.M.P.	MATERIAL: HDPE	DATE: MAR/22/2010	DRAWN BY: JOSE H.	DESCRIPTION: <b>TANK,4000 GAL,10 DEG,CB</b>	REV <b>0</b>
	UNLESS OTHERWISE SPECIFIED:		DO NOT SCALE DRAWING		SCALE: 1:96	PART NO. <b>60128-0</b>
	TOLERANCES: LENGTH DIMENSION: ± 0.5% ANGULAR: ± 1.0°	DIMENSIONS ARE IN INCHES	 <b>QUALITY MOLDED PLASTICS LTD.</b> P.O. Box 280, R.R.4 SASKATOON, SK S7K 3J7		SHEET 2 OF 2	