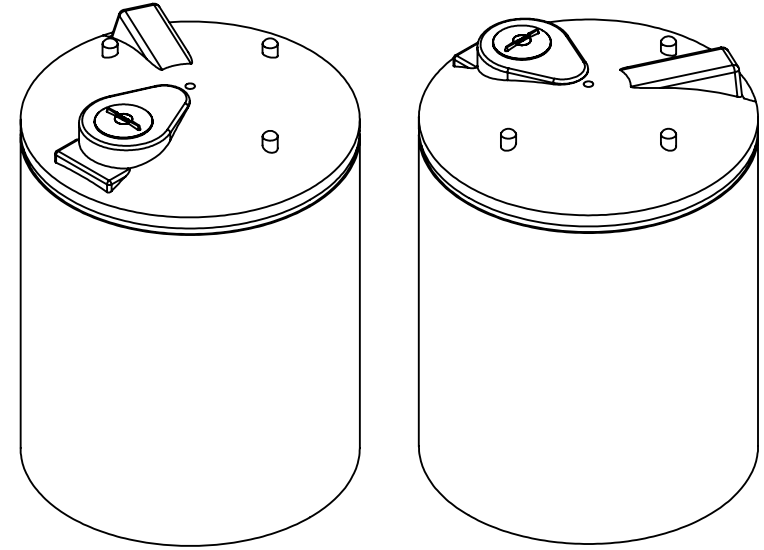
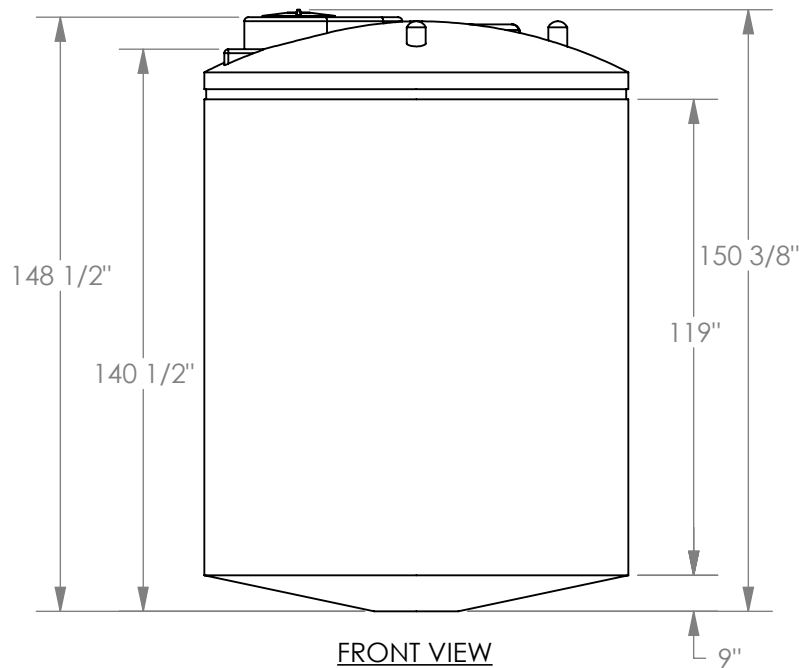


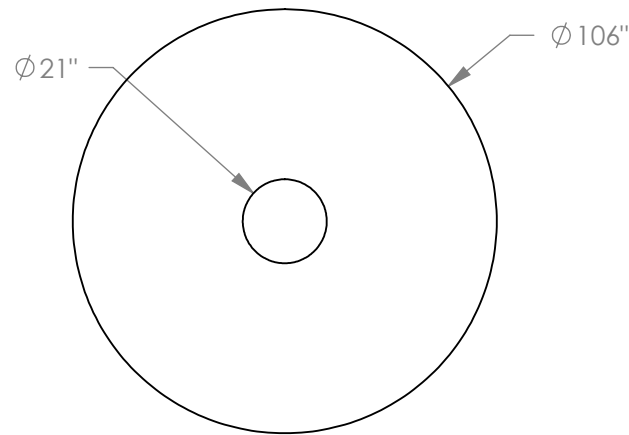
TOP VIEW



ISOMETRIC VIEW



FRONT VIEW



BOTTOM VIEW

NOTES (APPROX):
 WALL THICKNESS: 1/2"
 CAPACITY:
 4235.31 imp gal
 5086.40 u.s. gal
 WEIGHT: 1032 lb

Copyright © 2006 Quality Molded Plastics LTD.

PROPRIETARY AND CONFIDENTIAL
 THE INFORMATION CONTAINED IN THIS DRAWING IS THE SOLE PROPERTY OF QUALITY MOLDED PLASTICS LTD. ANY REPRODUCTION IN PART OR AS A WHOLE WITHOUT THE WRITTEN PERMISSION OF QUALITY MOLDED PLASTICS LTD. IS PROHIBITED.

CLIENT NAME:
QMP

CLIENT PART #: 60128-1

UNLESS OTHERWISE SPECIFIED:

TOLERANCES:
 LENGTH DIMENSION: ± 1%
 ANGULAR: ± 1.0°

DIMENSIONS ARE
 IN INCHES

MATERIAL:
LLDPE

DATE:
MAY 4, 2020

DRAWN BY:
S.APPLETON

DESCRIPTION:

TANK,4000 GAL,10 DEG

REV
Y

DO NOT SCALE DRAWING



QUALITY MOLDED PLASTICS LTD.
 Site 412, P.O. Box 280, R.R.#4
 SASKATOON, SK S7K 3J7

SCALE: 1:48
 SHEET 1 OF 2

PART NO.

60128-1