

**PROPRIETARY AND CONFIDENTIAL**  
 THE INFORMATION CONTAINED IN THIS DRAWING IS THE SOLE PROPERTY OF QUALITY MOLDED PLASTICS LTD. ANY REPRODUCTION IN PART OR AS A WHOLE WITHOUT THE WRITTEN PERMISSION OF QUALITY MOLDED PLASTICS LTD. IS PROHIBITED.

CLIENT NAME:  
**Q.M.P.**

UNLESS OTHERWISE SPECIFIED:  
 TOLERANCES:  
 LENGTH DIMENSION:  $\pm 0.5\%$   
 ANGULAR:  $\pm 1.0^\circ$

DIMENSIONS ARE IN INCHES

MATERIAL:  
HDPE

DATE:  
NOV/05/2006

DRAWN BY:  
JOSE H.

DESCRIPTION:  
**TANK ASSY, 100 BBL, V/V**

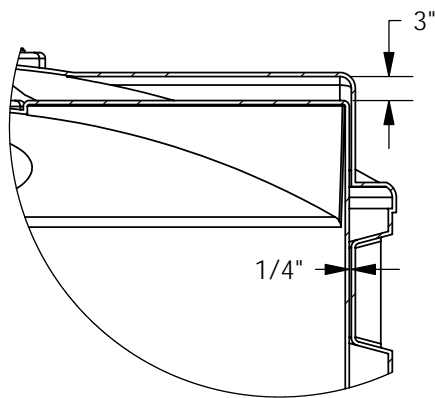
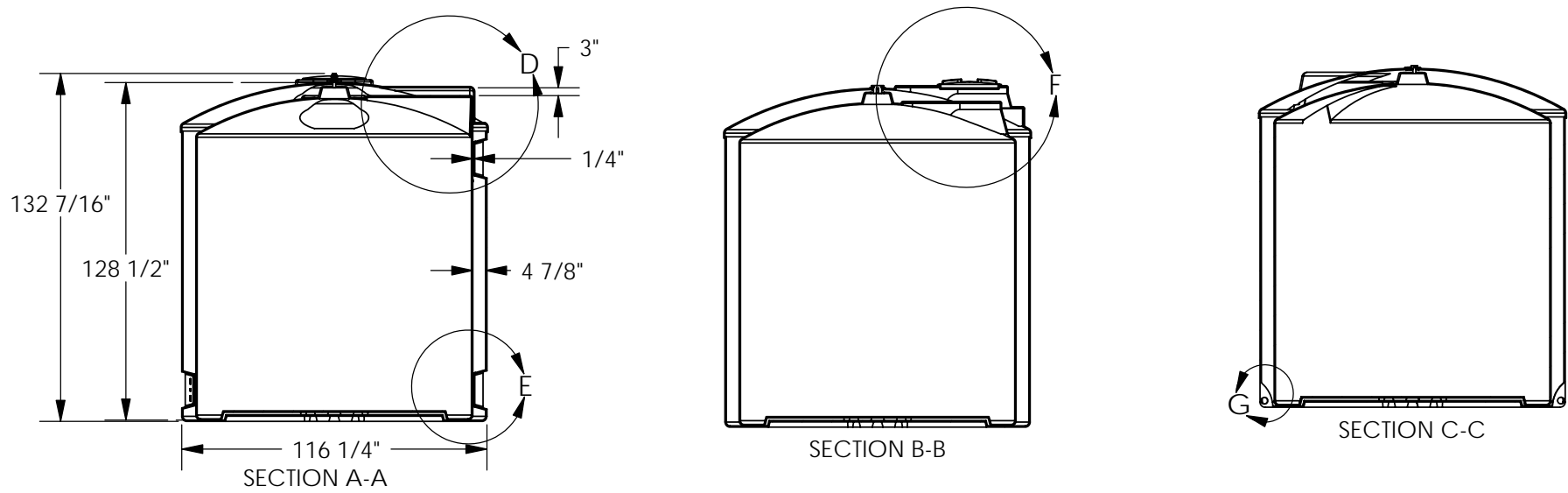
REV  
**0**



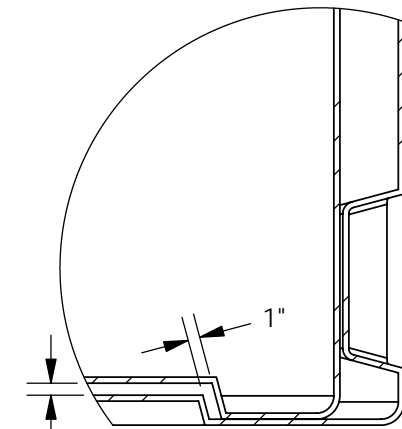
**QUALITY MOLDED PLASTICS LTD.**  
 P.O. Box 280, R.R.4  
 SASKATOON, SK S7K 3J7

SCALE: 1:64  
SHEET 2 OF 3

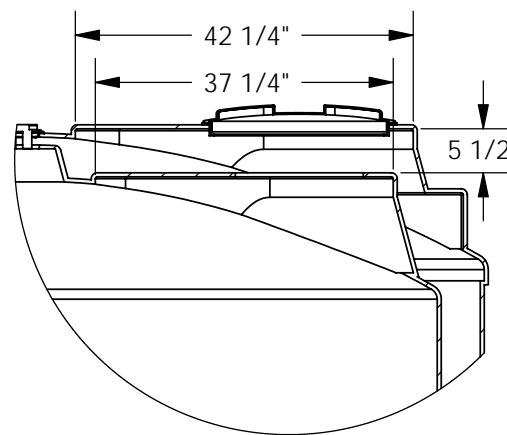
PART NO.  
**60131-1**



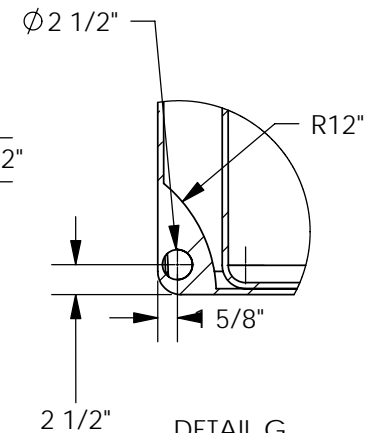
DETAIL D  
SCALE 1 : 24



DETAIL E  
SCALE 1 : 16



DETAIL F  
SCALE 1 : 24



DETAIL G  
SCALE 1 : 16

<b>PROPRIETARY AND CONFIDENTIAL</b> THE INFORMATION CONTAINED IN THIS DRAWING IS THE SOLE PROPERTY OF QUALITY MOLDED PLASTICS LTD. ANY REPRODUCTION IN PART OR AS A WHOLE WITHOUT THE WRITTEN PERMISSION OF QUALITY MOLDED PLASTICS LTD. IS PROHIBITED.	CLIENT NAME: <b>Q.M.P.</b>	MATERIAL: HDPE	DATE: NOV/05/2006	DRAWN BY: JOSE H.	DESCRIPTION: <b>TANK ASSY, 100 BBL, V/V</b>	REV <b>0</b>
	<b>UNLESS OTHERWISE SPECIFIED:</b>		<b>DO NOT SCALE DRAWING</b>		SCALE: 1:64 SHEET 3 OF 3	PART NO. <b>60131-1</b>
	TOLERANCES: LENGTH DIMENSION: ± 0.5% ANGULAR: ± 1.0°	DIMENSIONS ARE IN INCHES			<b>QUALITY MOLDED PLASTICS LTD.</b> P.O. Box 280, R.R.4 SASKATOON, SK S7K 3J7	