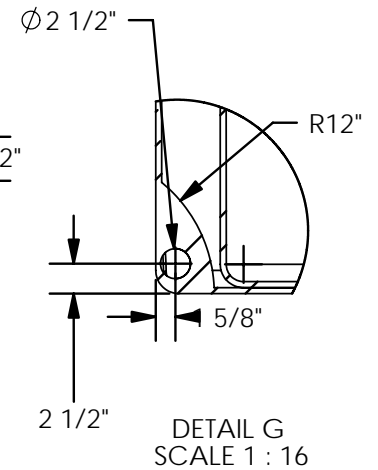
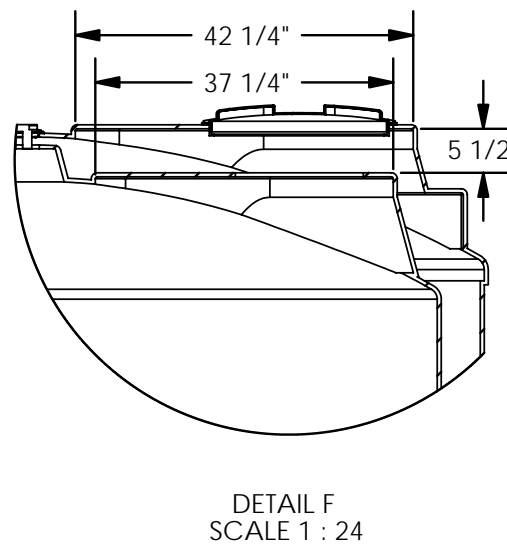
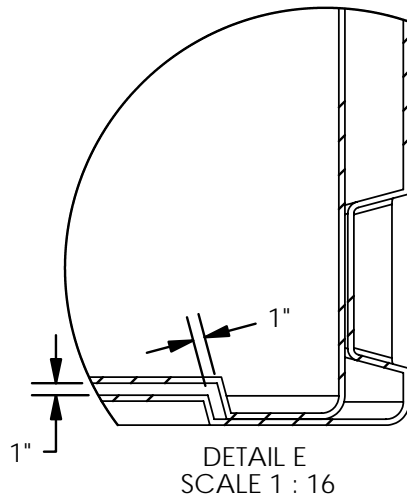
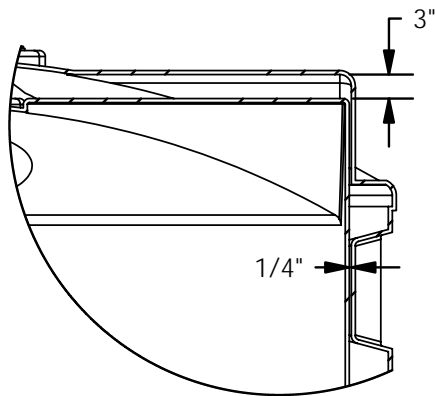
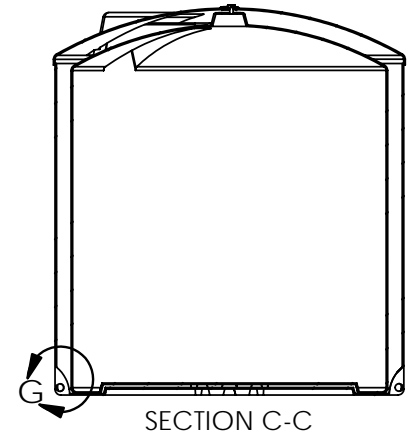
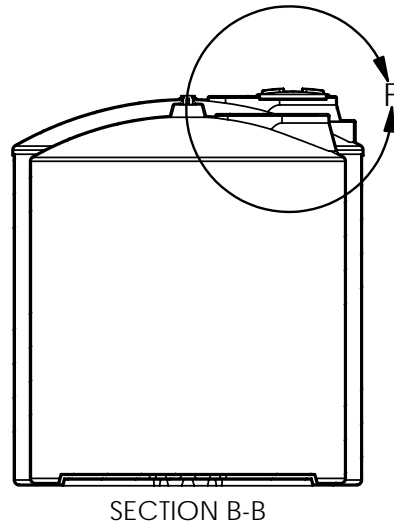
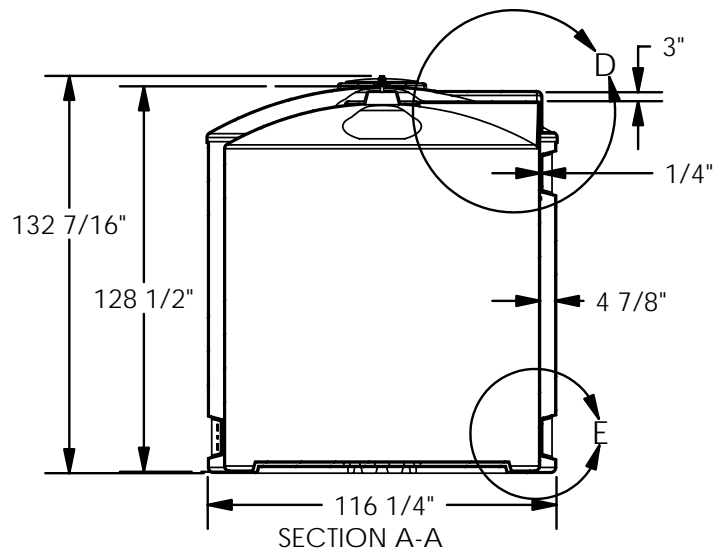


<b>PROPRIETARY AND CONFIDENTIAL</b> THE INFORMATION CONTAINED IN THIS DRAWING IS THE SOLE PROPERTY OF QUALITY MOLDED PLASTICS LTD. ANY REPRODUCTION IN PART OR AS A WHOLE WITHOUT THE WRITTEN PERMISSION OF QUALITY MOLDED PLASTICS LTD. IS PROHIBITED.	CLIENT NAME: <b>Q.M.P.</b>	MATERIAL: HDPE	DATE: NOV/05/2006	DRAWN BY: JOSE H.	DESCRIPTION: <b>TANK ASSY, 100BBL, V/XL</b>	REV <b>0</b>
	UNLESS OTHERWISE SPECIFIED:		DO NOT SCALE DRAWING		SCALE: 1:64	PART NO. <b>60131-2</b>
	TOLERANCES: LENGTH DIMENSION: $\pm 0.5\%$ ANGULAR: $\pm 1.0^\circ$	DIMENSIONS ARE IN INCHES	<b>QUALITY MOLDED PLASTICS LTD.</b> P.O. Box 280, R.R.4 SASKATOON, SK S7K 3J7		SHEET 2 OF 3	



<b>PROPRIETARY AND CONFIDENTIAL</b> THE INFORMATION CONTAINED IN THIS DRAWING IS THE SOLE PROPERTY OF QUALITY MOLDED PLASTICS LTD. ANY REPRODUCTION IN PART OR AS A WHOLE WITHOUT THE WRITTEN PERMISSION OF QUALITY MOLDED PLASTICS LTD. IS PROHIBITED.	CLIENT NAME: <b>Q.M.P.</b>	MATERIAL: HDPE	DATE: NOV/05/2006	DRAWN BY: JOSE H.	DESCRIPTION: <b>TANK ASSY, 100BBL, V/XL</b>	REV <b>0</b>
	<b>UNLESS OTHERWISE SPECIFIED:</b>		<b>DO NOT SCALE DRAWING</b>			
	TOLERANCES: LENGTH DIMENSION: ± 0.5% ANGULAR: ± 1.0°	DIMENSIONS ARE IN INCHES			SCALE: 1:64 SHEET 3 OF 3	PART NO. <b>60131-2</b>

QUALITY MOLDED PLASTICS LTD.  
 P.O. Box 280, R.R.4  
 SASKATOON, SK S7K 3J7