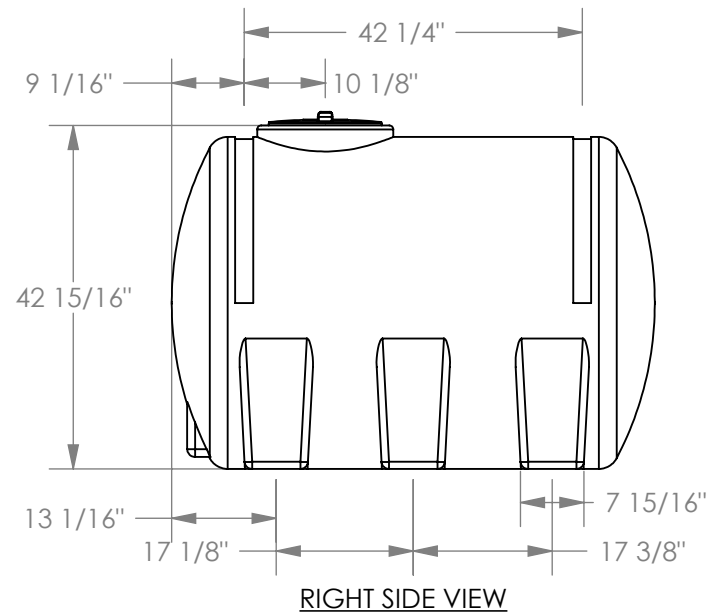


NOTES (APPROX):
WALL THICKNESS 1/4"

CAPACITY:
290 IMP. GAL
350 U.S. GAL
1325 LITRES



COPYRIGHT © 2006 QUALITY MOLDED PLASTICS

PROPRIETARY AND CONFIDENTIAL
THE INFORMATION CONTAINED IN THIS DRAWING IS THE SOLE PROPERTY OF QUALITY MOLDED PLASTICS LTD. ANY REPRODUCTION IN PART OR AS A WHOLE WITHOUT THE WRITTEN PERMISSION OF QUALITY MOLDED PLASTICS LTD. IS PROHIBITED.

CLIENT NAME:
Q.M.P.
APPROXIMATE WEIGHT (lb): 92

MATERIAL:
LLDPE

DATE:
JUNE 26, 2015

DRAWN BY:
S. APPLETON

DESCRIPTION:

TANK, LEG, 350 US GALLON, w/LID

REV
Y

UNLESS OTHERWISE SPECIFIED:

TOLERANCES:
LENGTH DIMENSION: ± 1%
ANGULAR: ± 1.0°

DIMENSIONS ARE
IN INCHES



QUALITY MOLDED PLASTICS LTD.
P.O. Box 280, R.R.4
SASKATOON, SK S7K 3J7

SCALE: 1:24
SHEET 1 OF 1

PART NO.

60132-2