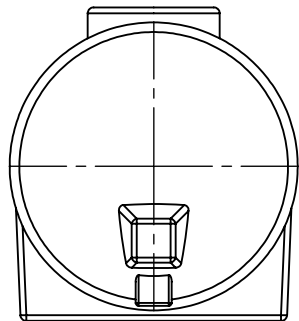
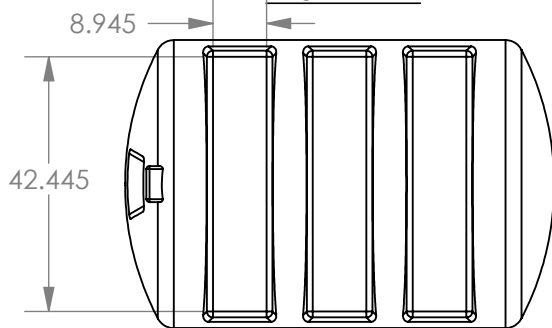


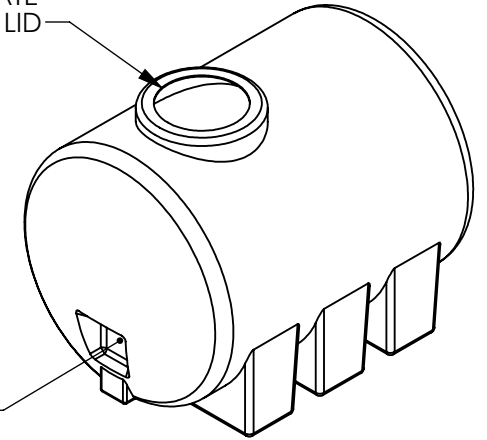
TOP VIEW



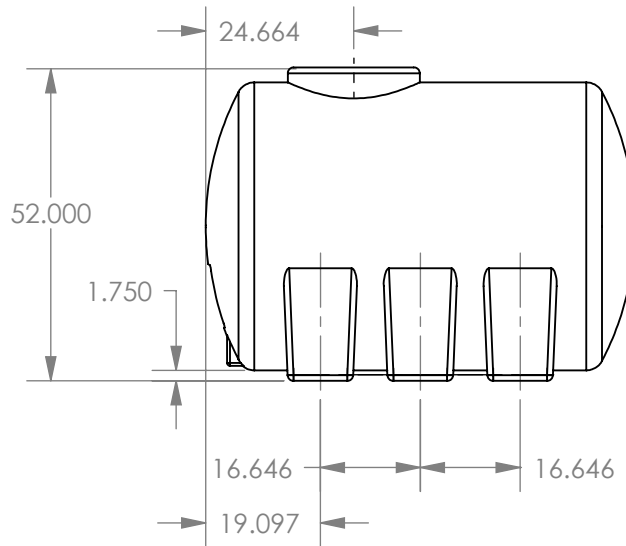
FRONT VIEW



CAN ACCOMODATE UP TO 16" VENTED LID



ISOMETRIC VIEW



SIDE VIEW

BULKHEAD LOCATION ATTACHMENT

COPYRIGHT © 2006 QUALITY MOLDED PLASTICS

PROPRIETARY AND CONFIDENTIAL
 THE INFORMATION CONTAINED IN THIS DRAWING IS THE SOLE PROPERTY OF QUALITY MOLDED PLASTICS LTD. ANY REPRODUCTION IN PART OR AS A WHOLE WITHOUT THE WRITTEN PERMISSION OF QUALITY MOLDED PLASTICS LTD. IS PROHIBITED.

CLIENT NAME:
 QUALITY MOLDED PLASTICS
 CLIENT PART #:

MATERIAL:
 LLDPE 8460

DATE:
 06/03/2006

DRAWN BY:
 BRAD W.

DESCRIPTION:
TANK, LEG, 500 US GALLON

REV
0

UNLESS OTHERWISE SPECIFIED:

TOLERANCES:
 LENGTH DIMENSION: ± 1%
 ANGULAR: ± 1.0°

DIMENSIONS ARE
 IN INCHES



QUALITY MOLDED PLASTICS LTD.
 P.O. Box 280, R.R.4
 SASKATOON, SK S7K 3J7

SCALE: 1:32
 SHEET 1 OF 1

PART NO.
60133-0