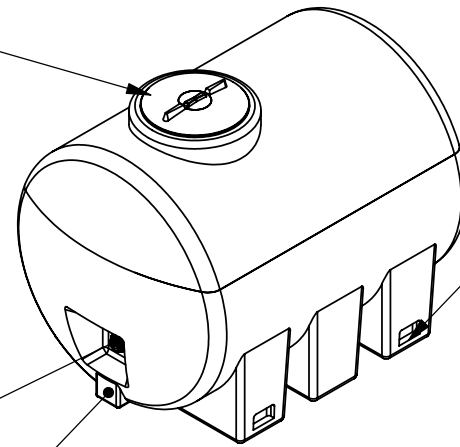


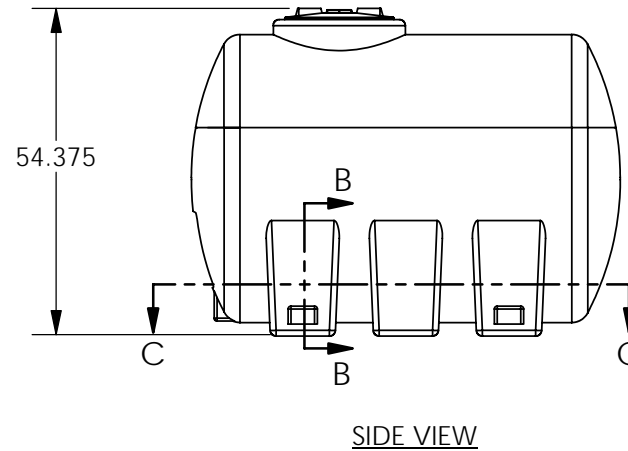
CAN ACCOMODATE UP 16" VENTED LID

BULKHEAD LOCATION TO CONNECT INNER TANK

BULKHEAD LOCATION FOR OUTER TANK DRAIN

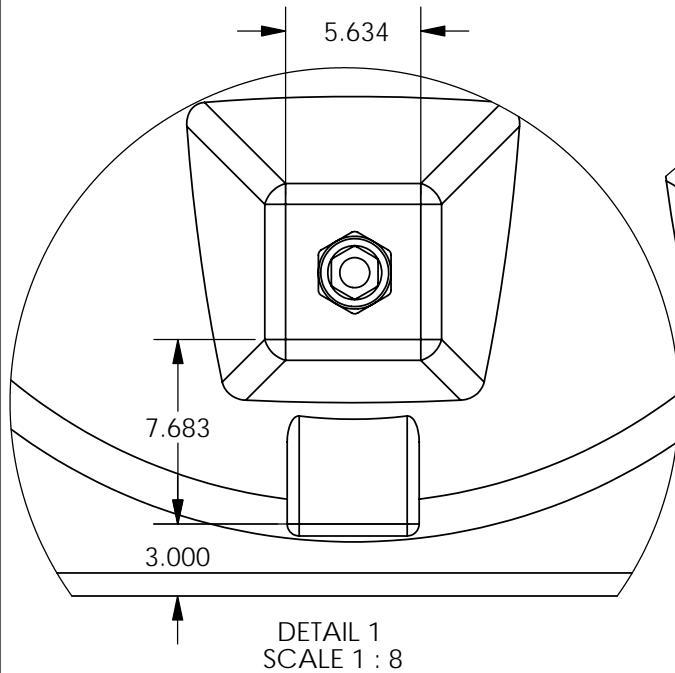
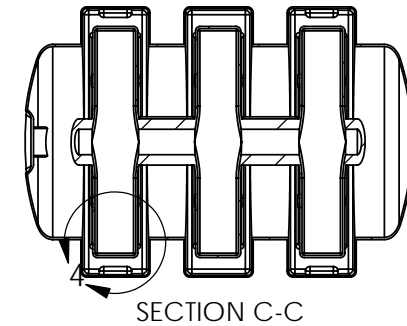
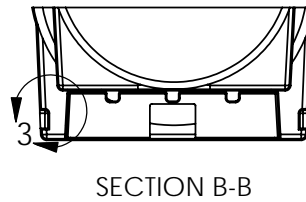
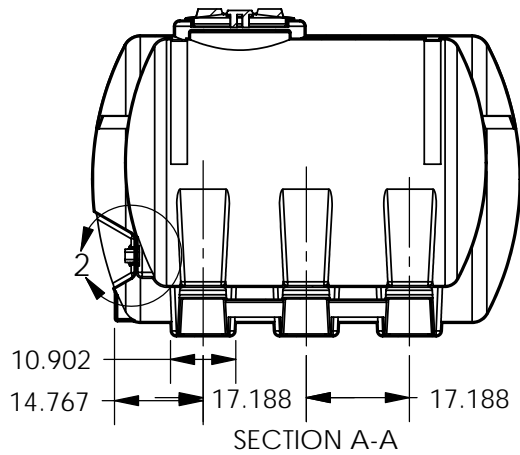


TIE-DOWN LOCATIONS (4)

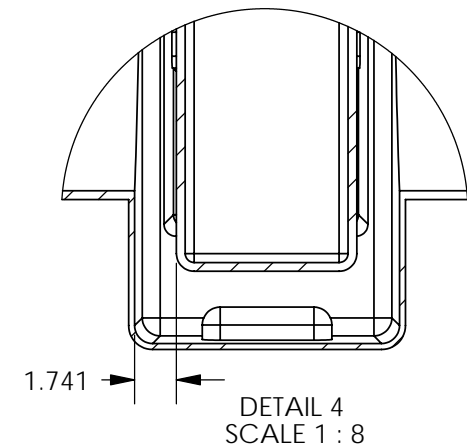
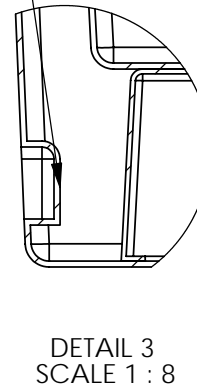
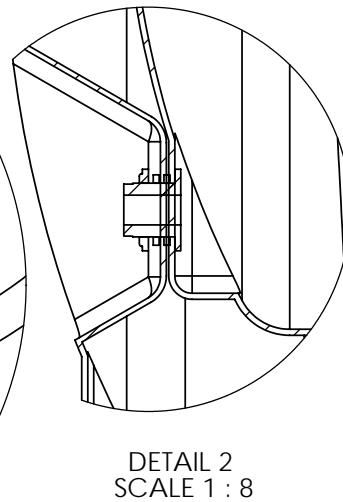


COPYRIGHT © 2006 QUALITY MOLDED PLASTICS


PROPRIETARY AND CONFIDENTIAL THE INFORMATION CONTAINED IN THIS DRAWING IS THE SOLE PROPERTY OF QUALITY MOLDED PLASTICS LTD. ANY REPRODUCTION IN PART OR AS A WHOLE WITHOUT THE WRITTEN PERMISSION OF QUALITY MOLDED PLASTICS LTD. IS PROHIBITED.	CLIENT NAME: QUALITY MOLDED PLASTICS	MATERIAL:	DATE: 7 MAR 06	DRAWN BY: BRAD W	DESCRIPTION: TANK, LEG, DUAL WALL, 350 US GAL	REV 0
	CLIENT PART #: UNLESS OTHERWISE SPECIFIED:		DO NOT SCALE DRAWING			
	TOLERANCES: LENGTH DIMENSION: ± 1% ANGULAR: ± 1.0°	DIMENSIONS ARE IN INCHES	QUALITY MOLDED PLASTICS LTD. P.O. Box 280, R.R.4 SASKATOON, SK S7K 3J7		SCALE: 1:32 SHEET 1 OF 2	PART NO. 60134-1



TANK TIE-DOWN LOCATION



COPYRIGHT © 2006 QUALITY MOLDED PLASTICS

PROPRIETARY AND CONFIDENTIAL THE INFORMATION CONTAINED IN THIS DRAWING IS THE SOLE PROPERTY OF QUALITY MOLDED PLASTICS LTD. ANY REPRODUCTION IN PART OR AS A WHOLE WITHOUT THE WRITTEN PERMISSION OF QUALITY MOLDED PLASTICS LTD. IS PROHIBITED.	CLIENT NAME: QUALITY MOLDED PLASTICS	MATERIAL:	DATE: 7 MAR 06	DRAWN BY: BRAD W	DESCRIPTION: TANK, LEG, DUAL WALL, 350 US GAL 0	REV
	UNLESS OTHERWISE SPECIFIED:		DO NOT SCALE DRAWING		SCALE: 1:32	PART NO.
	TOLERANCES: LENGTH DIMENSION: ± 0.5% ANGULAR: ± 1.0°	DIMENSIONS ARE IN INCHES	 QUALITY MOLDED PLASTICS LTD. P.O. Box 280, R.R.4 SASKATOON, SK S7K 3J7		SHEET 2 OF 2	60134-1