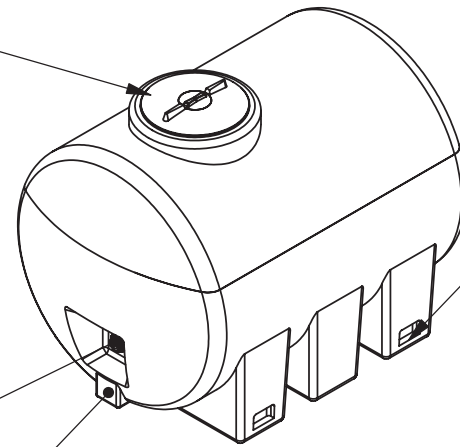


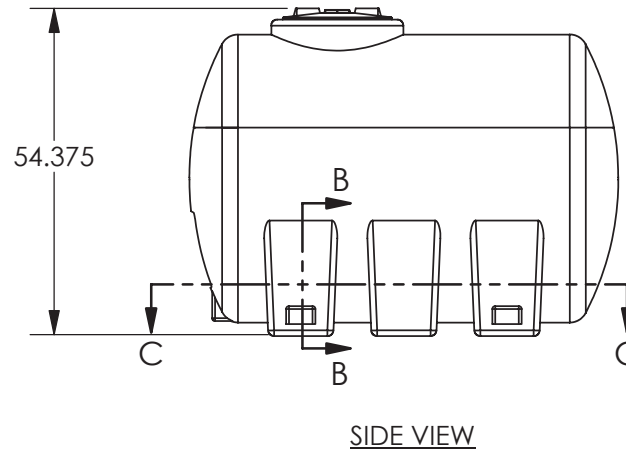
CAN ACCOMMODATE UP 16" VENTED LID

BULKHEAD LOCATION TO CONNECT INNER TANK

BULKHEAD LOCATION FOR OUTER TANK DRAIN

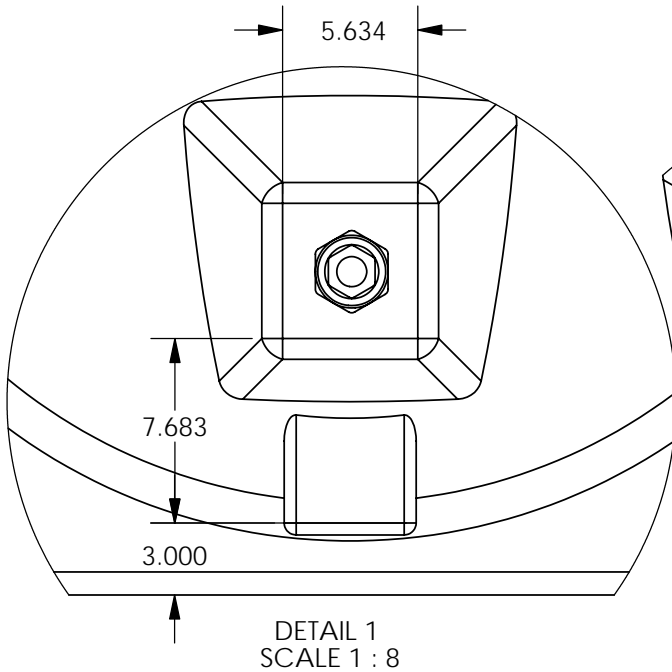
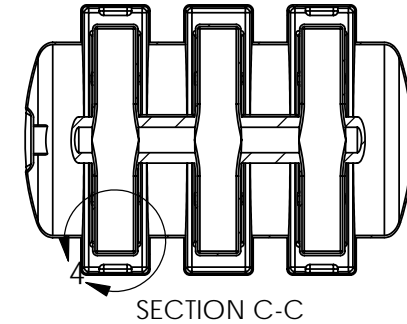
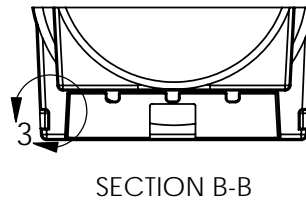
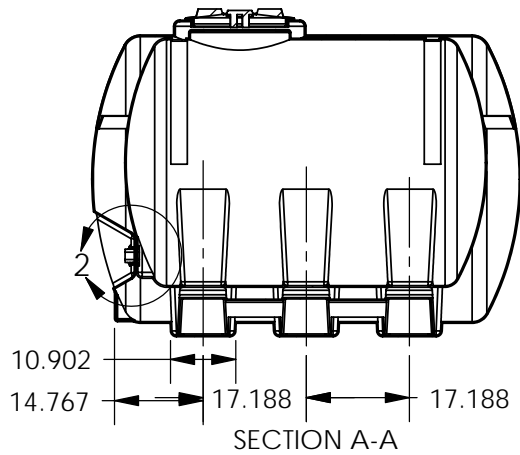


TIE-DOWN LOCATIONS (4)

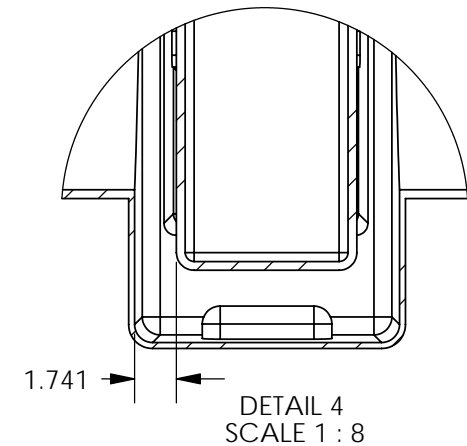
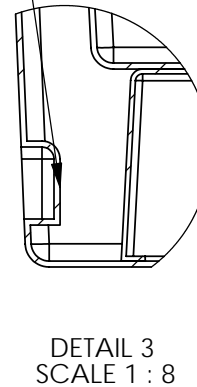
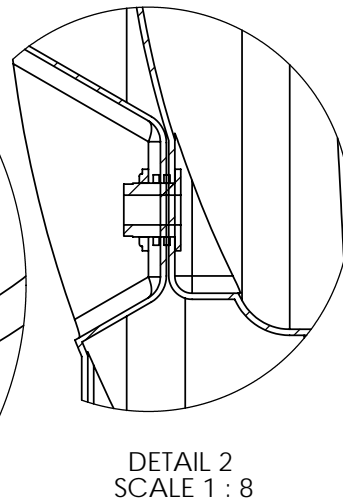


COPYRIGHT © 2006 QUALITY MOLDED PLASTICS


<b>PROPRIETARY AND CONFIDENTIAL</b> THE INFORMATION CONTAINED IN THIS DRAWING IS THE SOLE PROPERTY OF QUALITY MOLDED PLASTICS LTD. ANY REPRODUCTION IN PART OR AS A WHOLE WITHOUT THE WRITTEN PERMISSION OF QUALITY MOLDED PLASTICS LTD. IS PROHIBITED.	CLIENT NAME: QUALITY MOLDED PLASTICS	MATERIAL:	DATE: 7 MAR 06	DRAWN BY: BRAD W	DESCRIPTION: <b>TANK, LEG, DUAL WALL, 350 US GAL</b>	REV <b>0</b>
	CLIENT PART #:  <b>UNLESS OTHERWISE SPECIFIED:</b>		DO NOT SCALE DRAWING			
	TOLERANCES: LENGTH DIMENSION: ± 1% ANGULAR: ± 1.0°	DIMENSIONS ARE IN INCHES			QUALITY MOLDED PLASTICS LTD. P.O. Box 280, R.R.4 SASKATOON, SK S7K 3J7	SCALE: 1:32 SHEET 1 OF 2



TANK TIE-DOWN LOCATION



COPYRIGHT © 2006 QUALITY MOLDED PLASTICS

<b>PROPRIETARY AND CONFIDENTIAL</b> THE INFORMATION CONTAINED IN THIS DRAWING IS THE SOLE PROPERTY OF QUALITY MOLDED PLASTICS LTD. ANY REPRODUCTION IN PART OR AS A WHOLE WITHOUT THE WRITTEN PERMISSION OF QUALITY MOLDED PLASTICS LTD. IS PROHIBITED.	CLIENT NAME: <b>QUALITY MOLDED PLASTICS</b>	MATERIAL:	DATE: 7 MAR 06	DRAWN BY: BRAD W	DESCRIPTION: <b>TANK, LEG, DUAL WALL, 350 US GAL 0</b>	REV
	UNLESS OTHERWISE SPECIFIED:		DO NOT SCALE DRAWING		SCALE: 1:32	PART NO.
	TOLERANCES: LENGTH DIMENSION: ± 0.5% ANGULAR: ± 1.0°	DIMENSIONS ARE IN INCHES	 <b>QUALITY MOLDED PLASTICS LTD.</b> P.O. Box 280, R.R.4 SASKATOON, SK S7K 3J7		SHEET 2 OF 2	<b>60134-1</b>