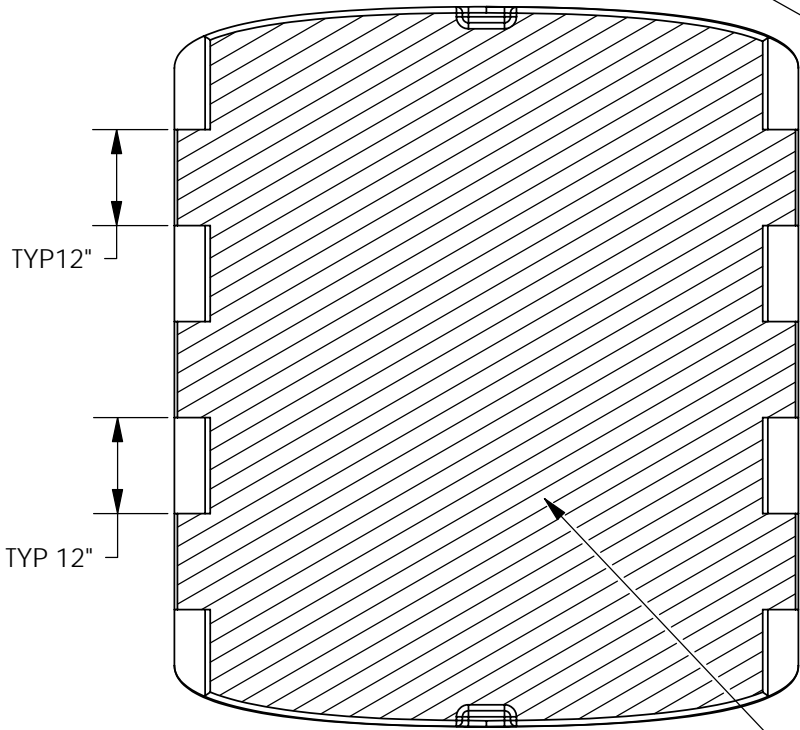
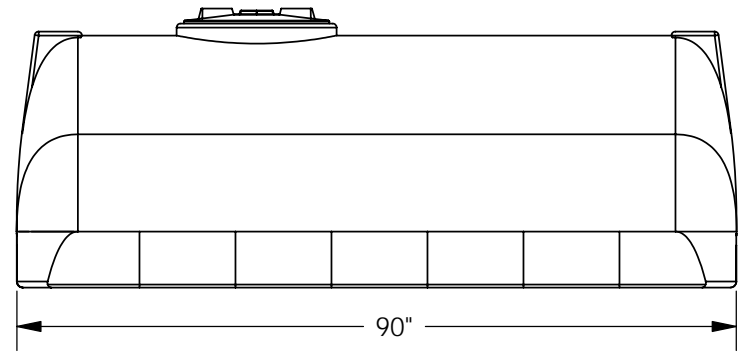
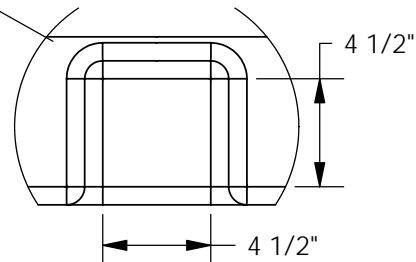


FRONT VIEW

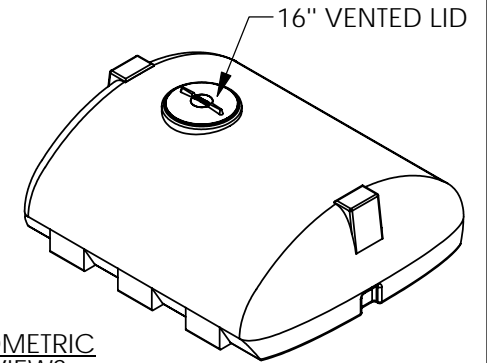


BOTTOM VIEW

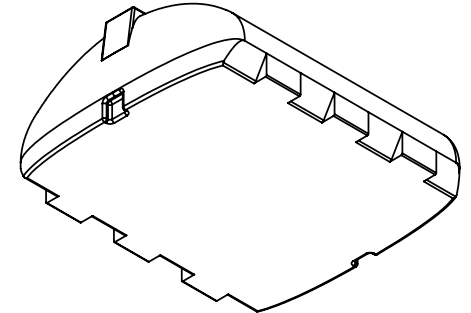
FOOTPRINT



DETAIL A



ISOMETRIC VIEWS



NOTES (APPROX):
 WALL THICKNESS: 1/4"
 CAPACITY:
 601.34 imp gal
 722.18 u.s. gal

Copyright © 2006 Quality Molded Plastics LTD.

PROPRIETARY AND CONFIDENTIAL THE INFORMATION CONTAINED IN THIS DRAWING IS THE SOLE PROPERTY OF QUALITY MOLDED PLASTICS LTD. ANY REPRODUCTION IN PART OR AS A WHOLE WITHOUT THE WRITTEN PERMISSION OF QUALITY MOLDED PLASTICS LTD. IS PROHIBITED.	CLIENT NAME: Q.M.P. WEIGHT (lb): 180	MATERIAL: LLDPE 8460	DATE: NOV/17/2009	DRAWN BY: JOSE H.	DESCRIPTION: TANK, 600 GAL, LOW PROFILE	REV Y
	UNLESS OTHERWISE SPECIFIED: TOLERANCES: LENGTH DIMENSION: ± 1.5% ANGULAR: ± 1.0°		DO NOT SCALE DRAWING		SCALE: 1:32 SHEET 1 OF 1	PART NO. 60136-1
	DIMENSIONS ARE IN INCHES		QUALITY MOLDED PLASTICS LTD. Site 412, P.O. Box 280, R.R.#4 SASKATOON, SK S7K 3J7			