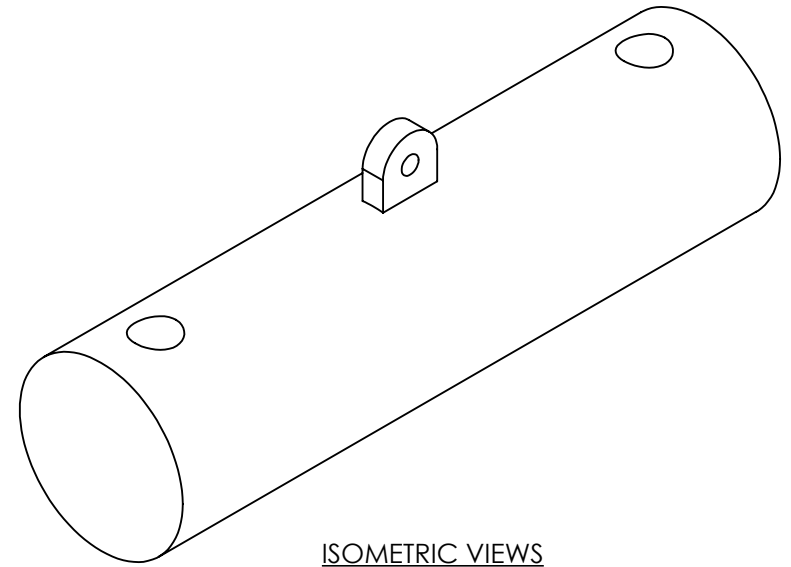
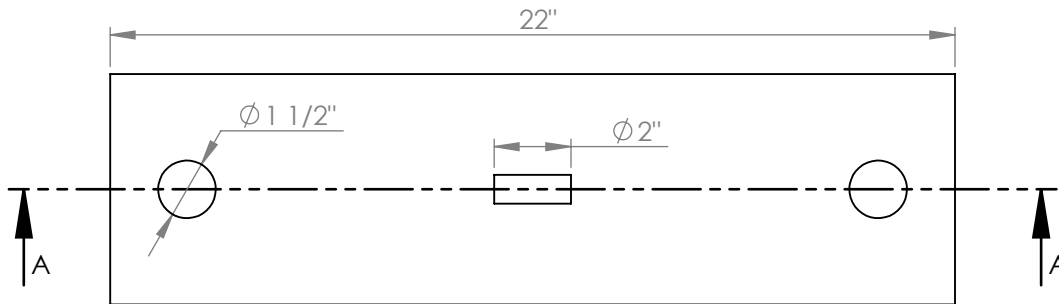


SECTION A-A

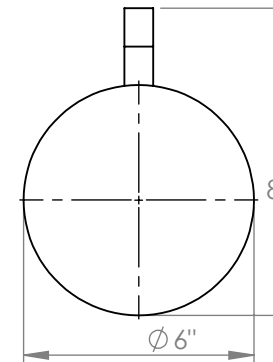
NOTES:
APPROXIMATE WALL THICKNESS 1/2"



ISOMETRIC VIEWS



FRONT VIEW



SIDE VIEW

Copyright © 2008 Quality Molded Plastics LTD.

PROPRIETARY AND CONFIDENTIAL THE INFORMATION CONTAINED IN THIS DRAWING IS THE SOLE PROPERTY OF QUALITY MOLDED PLASTICS LTD. ANY REPRODUCTION IN PART OR AS A WHOLE WITHOUT THE WRITTEN PERMISSION OF QUALITY MOLDED PLASTICS LTD. IS PROHIBITED.	CLIENT NAME: Q.M.P	MATERIAL: LLDP	DATE: JUNE 26, 2015	DRAWN BY: S.APPLETON	DESCRIPTION: FLOAT,TANK,6" DIAx22	REV
	APPROXIMATE WEIGHT (lb): 8	DO NOT SCALE DRAWING				
	UNLESS OTHERWISE SPECIFIED:		QMP QUALITY MOLDED PLASTICS LTD. Site 412, P.O. Box 280, R.R.#4 SASKATOON, SK S7K 3J7		SCALE: 1:5	PART NO.
	--- TOLERANCES --- LENGTH DIMENSION: ± ANGULAR: ± 1.0°	DIMENSIONS ARE IN INCHES			SHEET 1 OF 1	60138-1