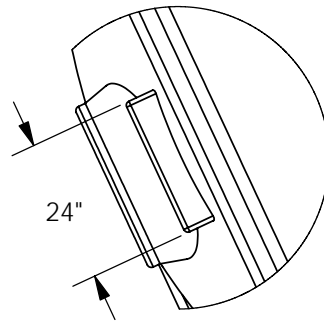
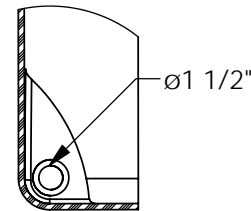


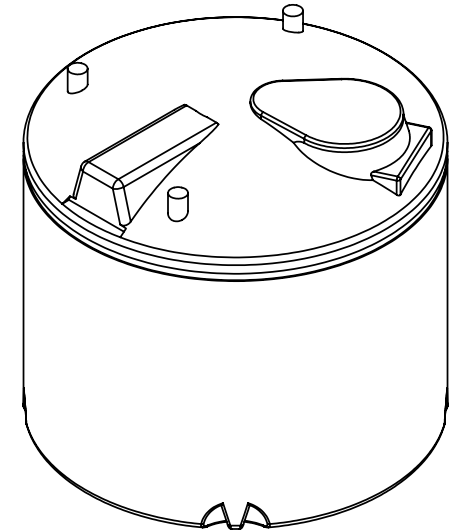
TOP VIEW



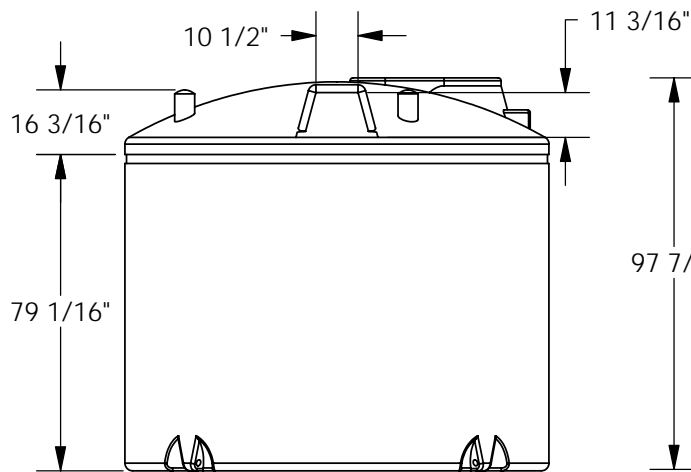
DETAIL A  
SCALE 1 : 32



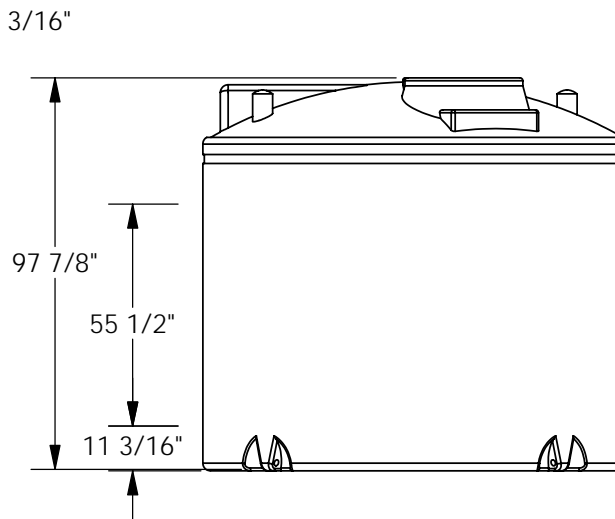
DETAIL B  
SCALE 1 : 12



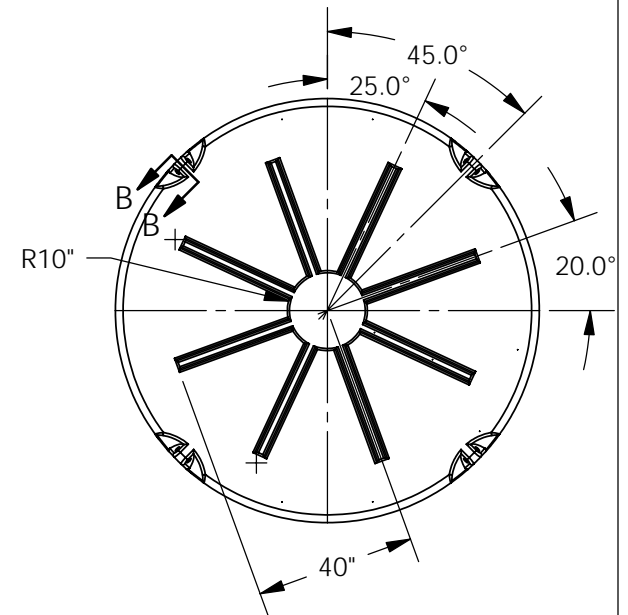
ISOMETRIC VIEW



FRONT VIEW



SIDE VIEW



BOTTOM VIEW

Copyright © 2006 Quality Molded Plastics LTD.

**PROPRIETARY AND CONFIDENTIAL**

THE INFORMATION CONTAINED IN THIS DRAWING IS THE SOLE PROPERTY OF QUALITY MOLDED PLASTICS LTD. ANY REPRODUCTION IN PART OR AS A WHOLE WITHOUT THE WRITTEN PERMISSION OF QUALITY MOLDED PLASTICS LTD. IS PROHIBITED.

CLIENT NAME:  
Quality Molded Plastics

CLIENT PART #:

UNLESS OTHERWISE SPECIFIED:

TOLERANCES:  
LENGTH DIMENSION: ± 1%  
ANGULAR: ± 1.0°

DIMENSIONS ARE  
IN INCHES

MATERIAL:  
HDPE 8660

DATE:  
3/22/2007

DRAWN BY:  
BRAD W.

DO NOT SCALE DRAWING

DESCRIPTION:  
**TANK, 2750 GAL, FLAT BOTTOM**

REV  
**0**



**QUALITY MOLDED PLASTICS LTD.**  
Site 412, P.O. Box 280, R.R.#4  
SASKATOON, SK S7K 3J7

SCALE: 1:48  
SHEET 1 OF 1

PART NO.  
**60141-1**