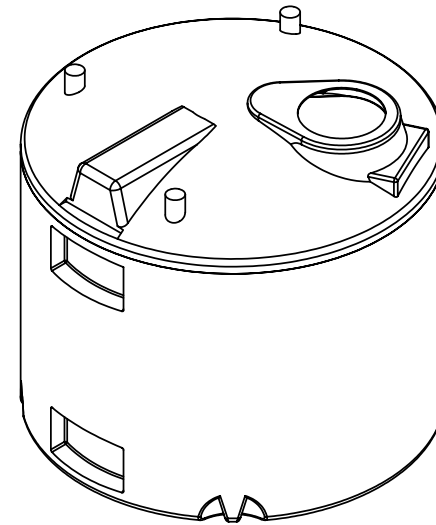
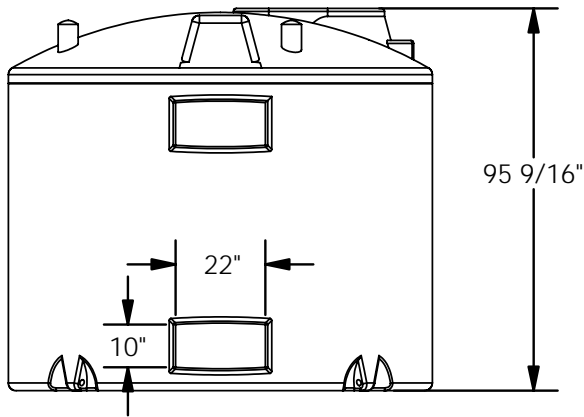


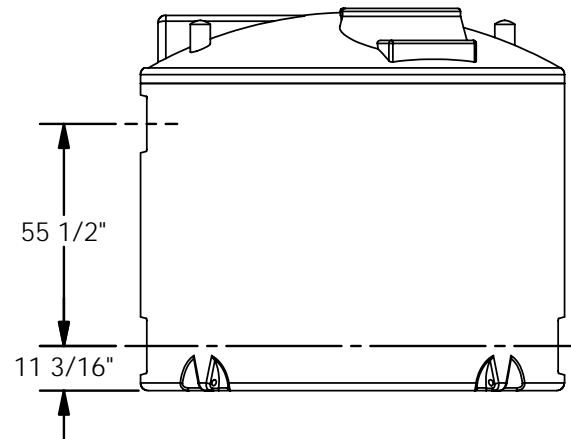
TOP VIEW



ISOMETRIC VIEW



FRONT VIEW



RIGHT VIEW

PROPRIETARY AND CONFIDENTIAL
 THE INFORMATION CONTAINED IN THIS DRAWING IS THE SOLE PROPERTY OF QUALITY MOLDED PLASTICS LTD. ANY REPRODUCTION IN PART OR AS A WHOLE WITHOUT THE WRITTEN PERMISSION OF QUALITY MOLDED PLASTICS LTD. IS PROHIBITED.

CLIENT NAME:
Quaity Molded Plastics

MATERIAL:
 -

DATE:
 22 MAR 07

DRAWN BY:
 BRAD W

DESCRIPTION:
60 Barrel Tank Assembly

REV
0

UNLESS OTHERWISE SPECIFIED:
 TOLERANCES:
 LENGTH DIMENSION: ± 0.5%
 ANGULAR: ± 1.0°

DIMENSIONS ARE
 IN INCHES



QUALITY MOLDED PLASTICS LTD.
 P.O. Box 280, R.R.4
 SASKATOON, SK S7K 3J7

SCALE: 1:48
 SHEET 2 OF 3

PART NO.
60142-2