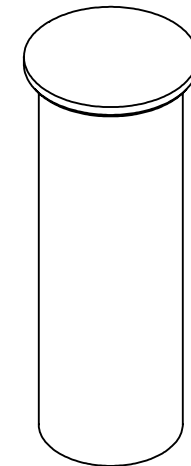
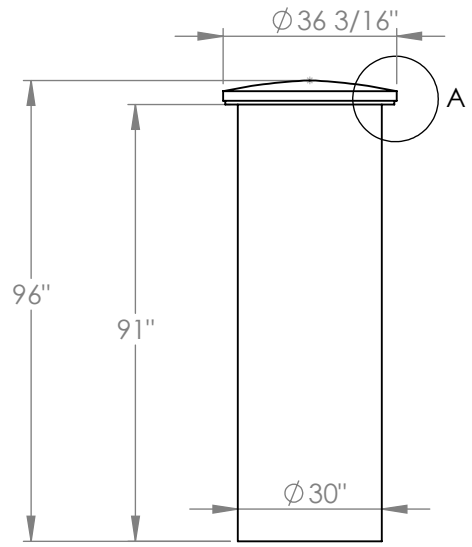


TOP VIEW

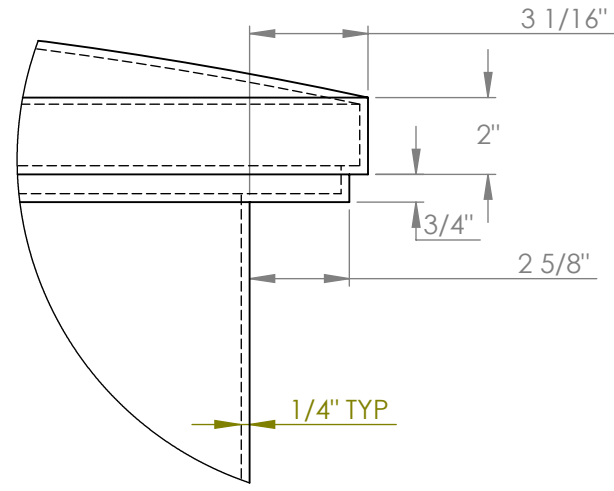


ISOMETRIC VIEWS



FRONT VIEW

**NOTES (APPROX):**  
 WALL THICKNESS: 0.25"  
 CAPACITY (UP TO 91"):  
 229 imp gal  
 275 u.s. gal  
 CAPACITY (UNTRIMMED):  
 237 imp gal  
 285 u.s. gal



DETAIL A  
 SCALE 1 : 5

Copyright © 2008 Quality Molded Plastics LTD.

<b>PROPRIETARY AND CONFIDENTIAL</b> THE INFORMATION CONTAINED IN THIS DRAWING IS THE SOLE PROPERTY OF QUALITY MOLDED PLASTICS LTD. ANY REPRODUCTION IN PART OR AS A WHOLE WITHOUT THE WRITTEN PERMISSION OF QUALITY MOLDED PLASTICS LTD. IS PROHIBITED.	CLIENT NAME: <b>QMP</b> APPROXIMATE WEIGHT (lb): 120 lb	MATERIAL: LLDPE	DATE: JUNE 8, 2015	DRAWN BY: S.APPLETON	DESCRIPTION: <b>294 US GAL BARREL</b>	REV <b>0</b>
	UNLESS OTHERWISE SPECIFIED: --- TOLERANCES --- LENGTH DIMENSION: ± 1% ANGULAR: ± 1.0°				SCALE: 1:40 SHEET 1 OF 1	PART NO. <b>60147-1</b>
	DIMENSIONS ARE IN INCHES			<b>QUALITY MOLDED PLASTICS LTD.</b> Site 412, P.O. Box 280, R.R.#4 SASKATOON, SK S7K 3J7		