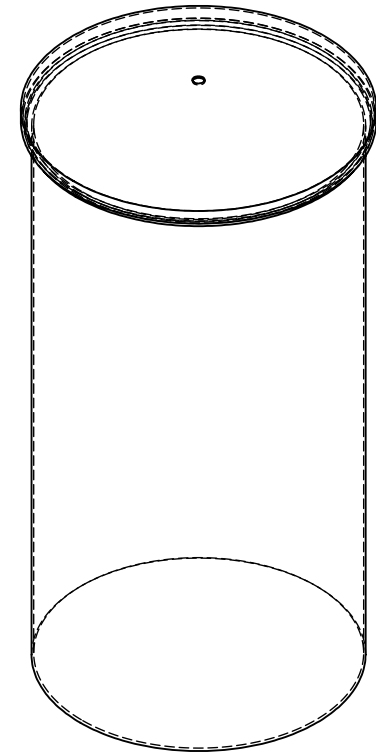
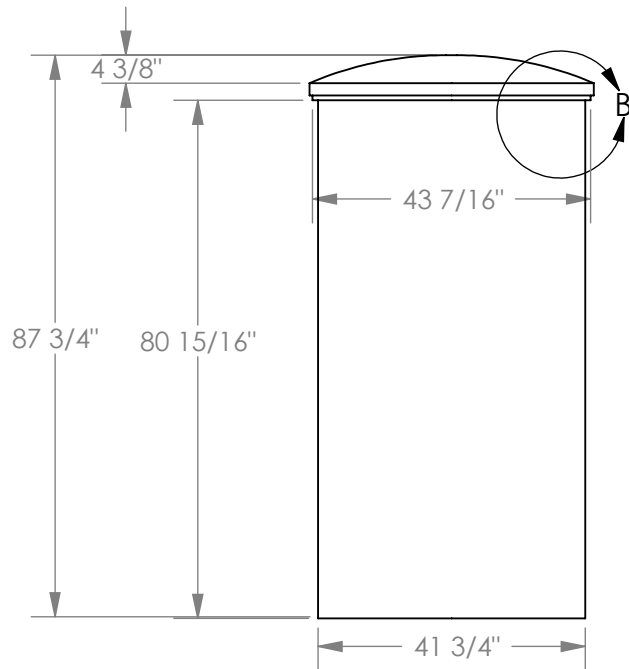


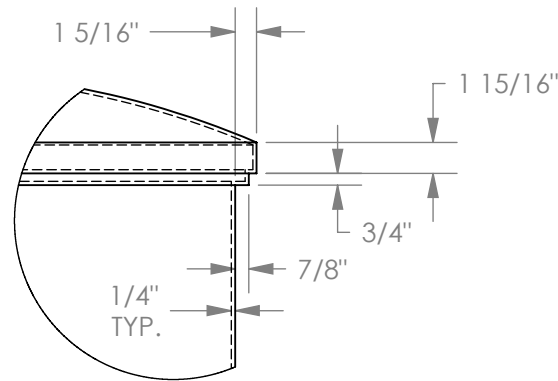
TOP VIEW



ISOMETRIC VIEW



FRONT VIEW



DETAIL B  
SCALE 1 : 12

**NOTES (APPROX):**

WALL THICKNESS: 1/4"

CAPACITY (UP TO 81"):  
400 imp gal  
480 u.s. gal

CAPACITY (UNTRIMMED):  
427 imp gal  
513 u.s. gal

Copyright © 2006 Quality Molded Plastics LTD.

**PROPRIETARY AND CONFIDENTIAL**  
THE INFORMATION CONTAINED IN THIS DRAWING IS THE SOLE PROPERTY OF QUALITY MOLDED PLASTICS LTD. ANY REPRODUCTION IN PART OR AS A WHOLE WITHOUT THE WRITTEN PERMISSION OF QUALITY MOLDED PLASTICS LTD. IS PROHIBITED.

CLIENT NAME:  
**QMP**  
APPROXIMATE WEIGHT (lb): 120 lb

**UNLESS OTHERWISE SPECIFIED:**  
--- TOLERANCES ---  
LENGTH DIMENSION: ± 1%  
ANGULAR: ± 1.0°  
DIMENSIONS ARE IN INCHES

MATERIAL:  
LLDPE

DATE:  
July 17, 2008

DRAWN BY:  
MIKE B.

DESCRIPTION:

**400 GAL BARREL**

REV  
**0**

DO NOT SCALE DRAWING



**QUALITY MOLDED PLASTICS LTD.**  
Site 412, P.O. Box 280, R.R.#4  
SASKATOON, SK S7K 3J7

SCALE: 1:48  
SHEET 1 OF 1

PART NO.

**60148-1**