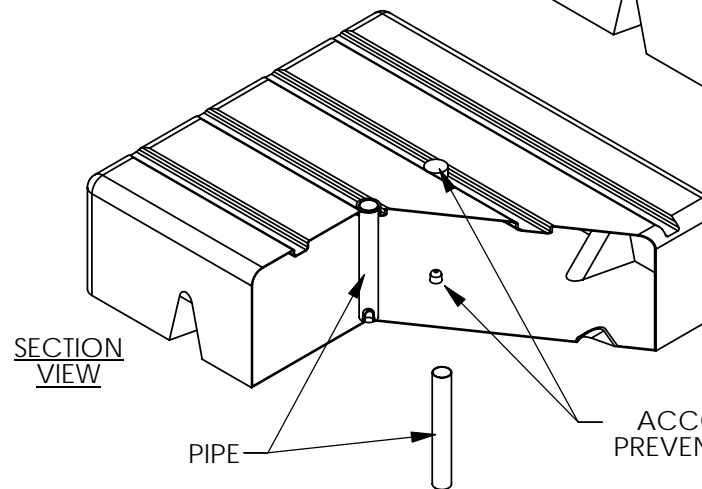
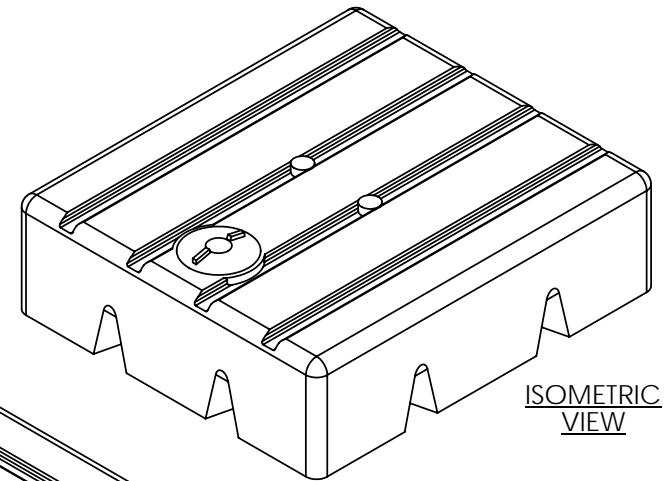


NOTES:

- LID SIZE MAY VARY.
- PIPE NOT INCLUDED.

(APPROX):

WALL THICKNESS: 1/4"
 WEIGHT (EMPTY): 250 lbs
 CAPACITY:
 878.64 imp gal
 1,055.20 u.s. gal



IF NEEDED,
 ACCOMODATES PIPE TO
 PREVENT POSSIBLE SAGGING

PROPRIETARY AND CONFIDENTIAL THE INFORMATION CONTAINED IN THIS DRAWING IS THE SOLE PROPERTY OF QUALITY MOLDED PLASTICS LTD. ANY REPRODUCTION IN PART OR AS A WHOLE WITHOUT THE WRITTEN PERMISSION OF QUALITY MOLDED PLASTICS LTD. IS PROHIBITED.	CLIENT NAME:	Q.M.P.	MATERIAL:	LLDPE	DATE:	JAN/28/2010	DRAWN BY:	JOSE H.	DESCRIPTION:	TANK,800 GAL,LOW PROFILE	REV	Y
	UNLESS OTHERWISE SPECIFIED:											
	TOLERANCES: LENGTH DIMENSION: ± 0.5% ANGULAR: ± 1.0°		DIMENSIONS ARE IN INCHES		QUALITY MOLDED PLASTICS LTD. P.O. Box 280, R.R.4 SASKATOON, SK S7K 3J7			SCALE: 1:48 SHEET 1 OF 1		PART NO. 60149-1		