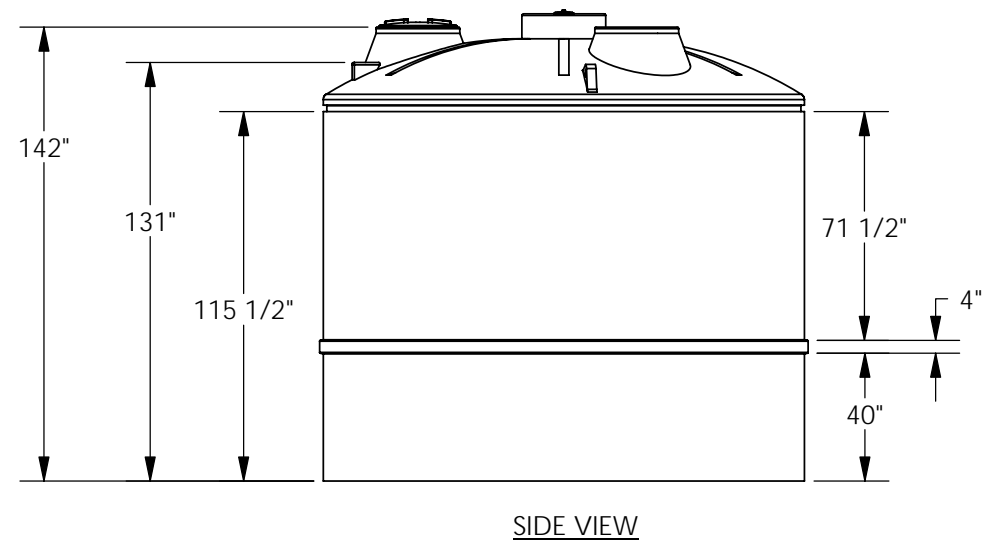
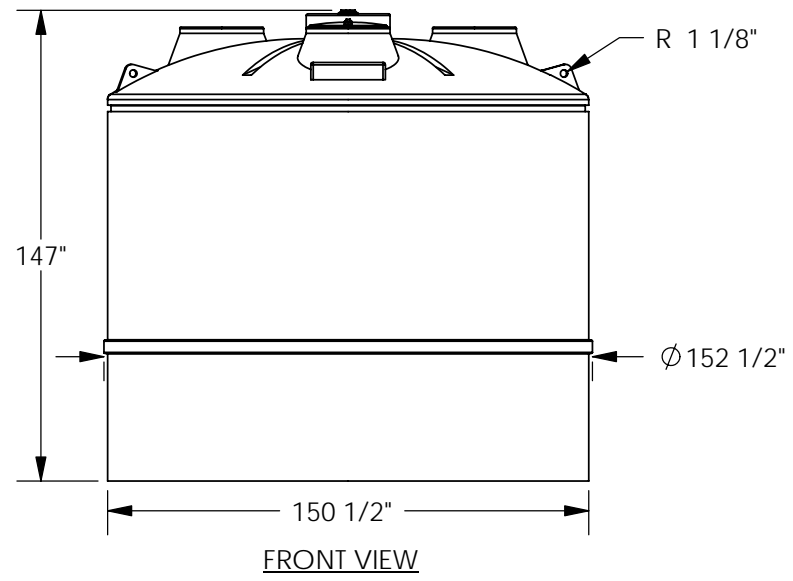


NOTES:
 - USE: WATER
 - WALL THICKNESS: 5/8"
 - WEIGHT: 2,110 lb

MAXIMUM APROX. CAPACITY:
 - 235 bbl oil
 - 8,250 imp gal
 - 9,900 us gal
 - 37,505 lt



Copyright © 2006 Quality Molded Plastics LTD.

PROPRIETARY AND CONFIDENTIAL THE INFORMATION CONTAINED IN THIS DRAWING IS THE SOLE PROPERTY OF QUALITY MOLDED PLASTICS LTD. ANY REPRODUCTION IN PART OR AS A WHOLE WITHOUT THE WRITTEN PERMISSION OF QUALITY MOLDED PLASTICS LTD. IS PROHIBITED.	CLIENT NAME: Q.M.P. CLIENT PART #: 60151-1	MATERIAL: HDPE	DATE: DEC/16/2008	DRAWN BY: JOSE H.	DESCRIPTION: 8250 imp gal WATER TANK	REV 0
	UNLESS OTHERWISE SPECIFIED: TOLERANCES: LENGTH DIMENSION: ± 1% ANGULAR: ± 1.0°		DO NOT SCALE DRAWING		SCALE: 1:96 SHEET 1 OF 1	PART NO. 60151-1
	DIMENSIONS ARE IN INCHES	QUALITY MOLDED PLASTICS LTD. Site 412, P.O. Box 280, R.R.#4 SASKATOON, SK S7K 3J7				